

# Installation Instructions

## Sliding Shower and Bath Doors

Record your model number:  
Noter le numéro de modèle:  
Anoté su número de modelo: \_\_\_\_\_

Français, page 26  
Español, página 51

**KOHLER**®

# Thank You for Choosing KOHLER

---

Need help? Contact our Customer Care Center.

USA/Canada: 1-800-4KOHLER (1-800-456-4537)

Mexico: 001-800-456-4537

For service parts information, visit [kohler.com/serviceparts](http://kohler.com/serviceparts).

For care and cleaning information, visit [kohler.com/clean](http://kohler.com/clean).

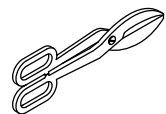
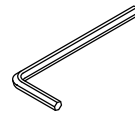
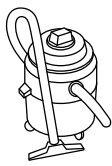
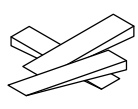
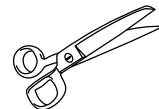
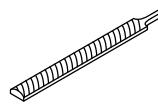
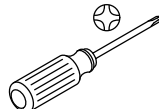
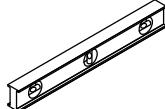
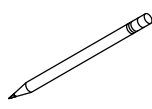
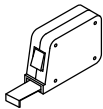
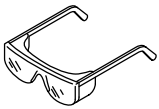
## Warranty

---

This product is covered under the KOHLER® One-Year Limited Warranty, found at [kohler.com/warranty](http://kohler.com/warranty). For a hardcopy of warranty terms, contact the Customer Care Center.

## Tools and Materials

---

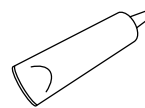
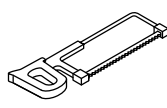
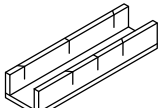
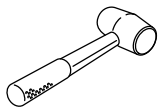


9/64", 1/4"

1/4" Masonry Bit for Tile

5/32"

Tin Snips



Rubber Mallet

Miter Box







32-Teeth Per Inch Blade

Masking Tape

100% Silicone Sealant

## Before You Begin

---

-  **WARNING: Risk of serious injury.** Damage before installation can result in glass shattering. Inspect the glass and all parts for damage before installation.
-  **WARNING: Risk of serious injury.** Improper installation can result in glass shattering. Follow all installation instructions.
-  **WARNING: Risk of serious injury.** Do not cut tempered glass. Tempered glass will shatter if cut.
-  **WARNING: Risk of serious injury.** Shower door and side panels can shatter. Regularly inspect the glass and all parts for damage, missing or loose parts.
-  **WARNING: Risk of serious injury.** Always wear safety glasses while cutting and drilling.
-  **CAUTION: Risk of personal injury.** Tempered glass should not contact hard surfaces or it may shatter. Do not touch the edge of the tempered glass panel with tools or any hard objects.

**IMPORTANT!** Leave this manual for the end user. Read these instructions before installing or using this product.

**IMPORTANT!** This door is designed to accommodate walls that are less than 3/8" (10 mm) out of plumb. Verify the area the door will be attached to is within 3/8" (10 mm) of plumb. The door may not function properly if the wall is more than 3/8" (10 mm) out of plumb.

Cover the drain with tape to avoid loss of small parts.

Identify all parts before installation.

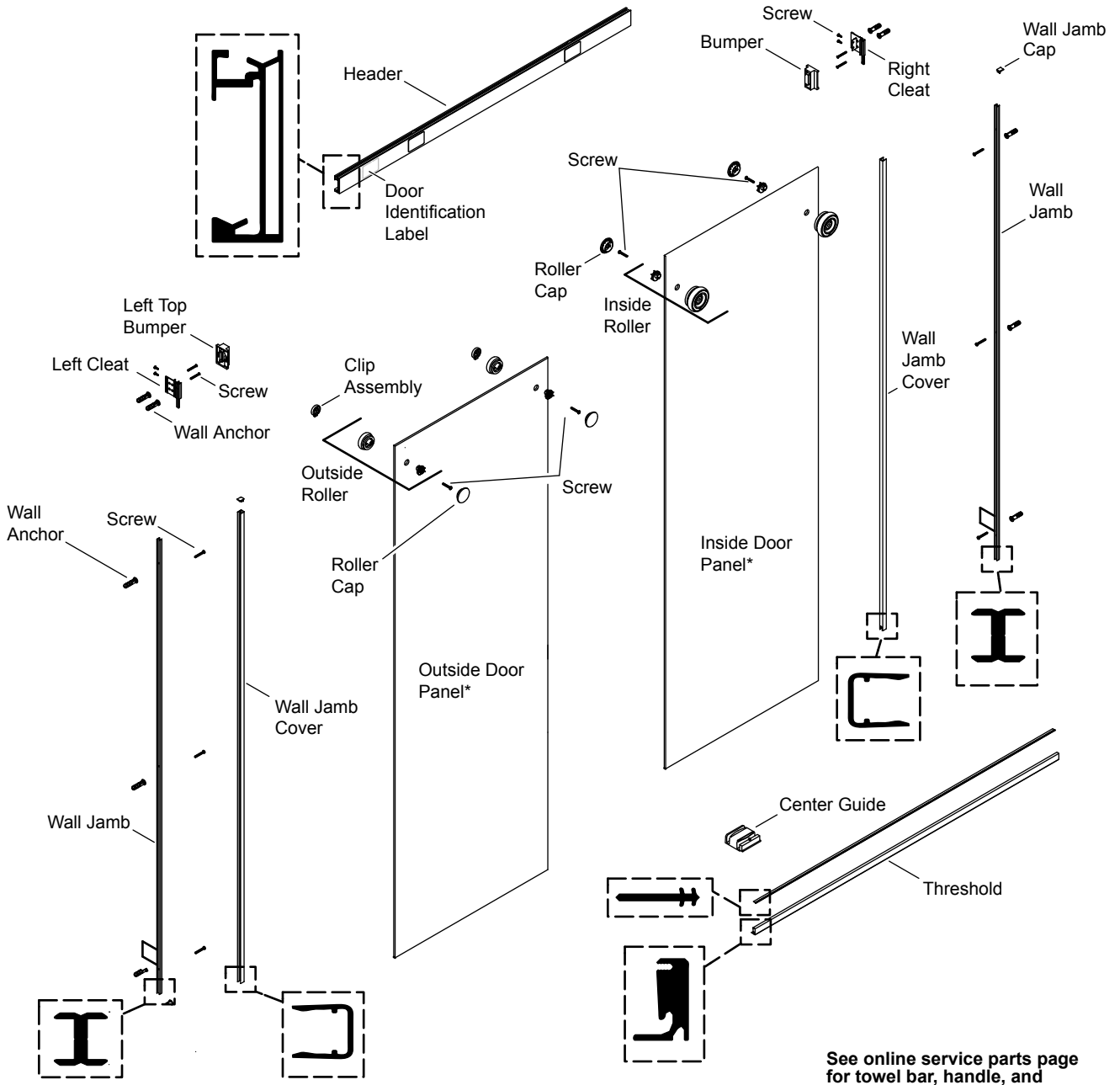
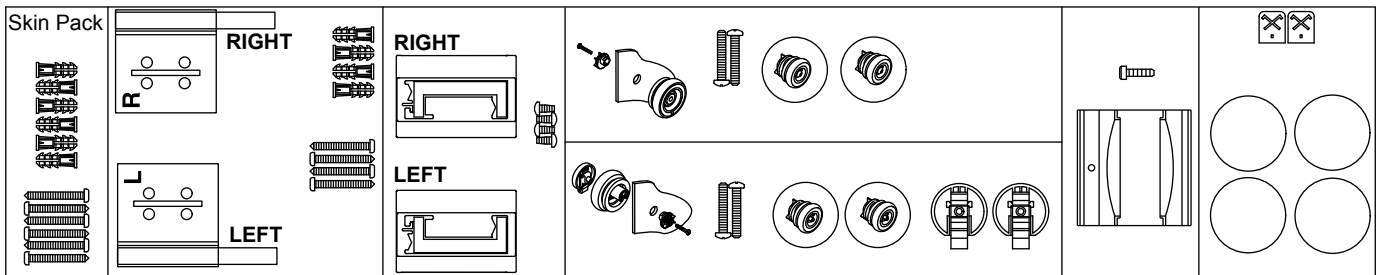
Identify the inside and outside panels by comparing the distance between the top edge of the glass and the roller mounting hole. The rollers on the inside panel are mounted lower than the outside panel.

Follow the silicone sealant manufacturer's instructions for application and curing time.

Two people should perform this installation.

Watch this installation online; visit [kohler.com](https://www.kohler.com) and search for your product number.

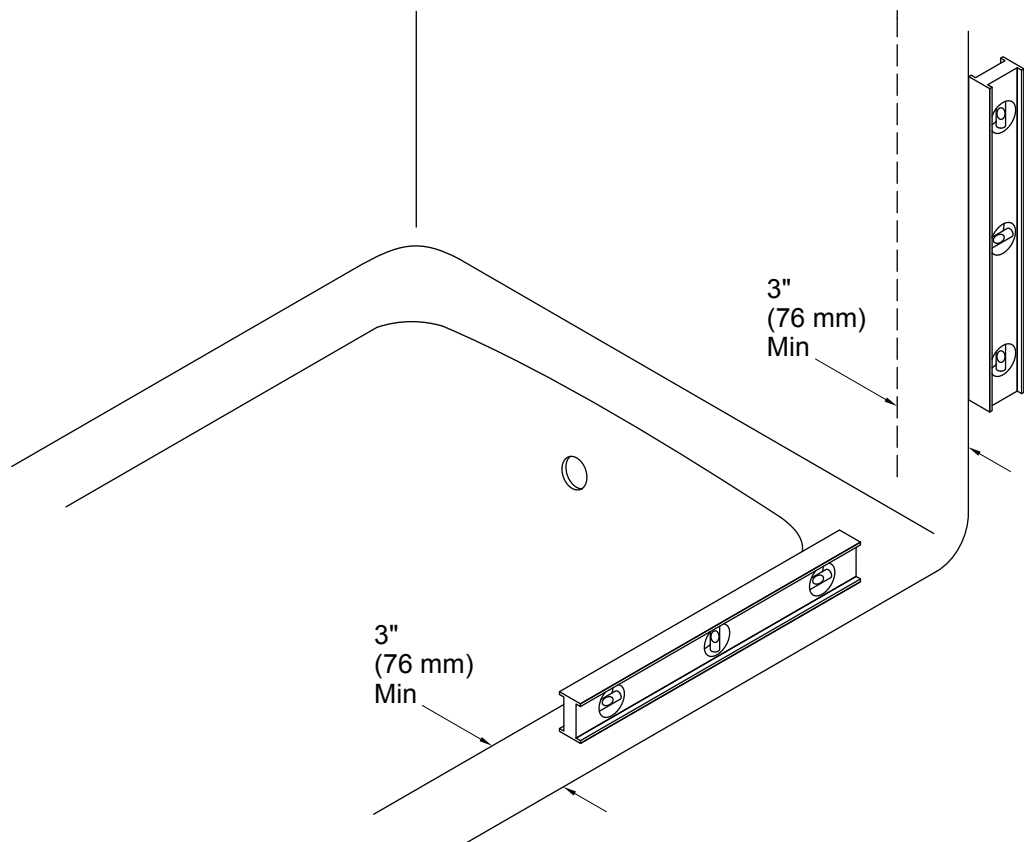
# Parts Identification



See online service parts page for towel bar, handle, and all available service parts.

# 1. Confirm Ledge and Wall Compatibility

---



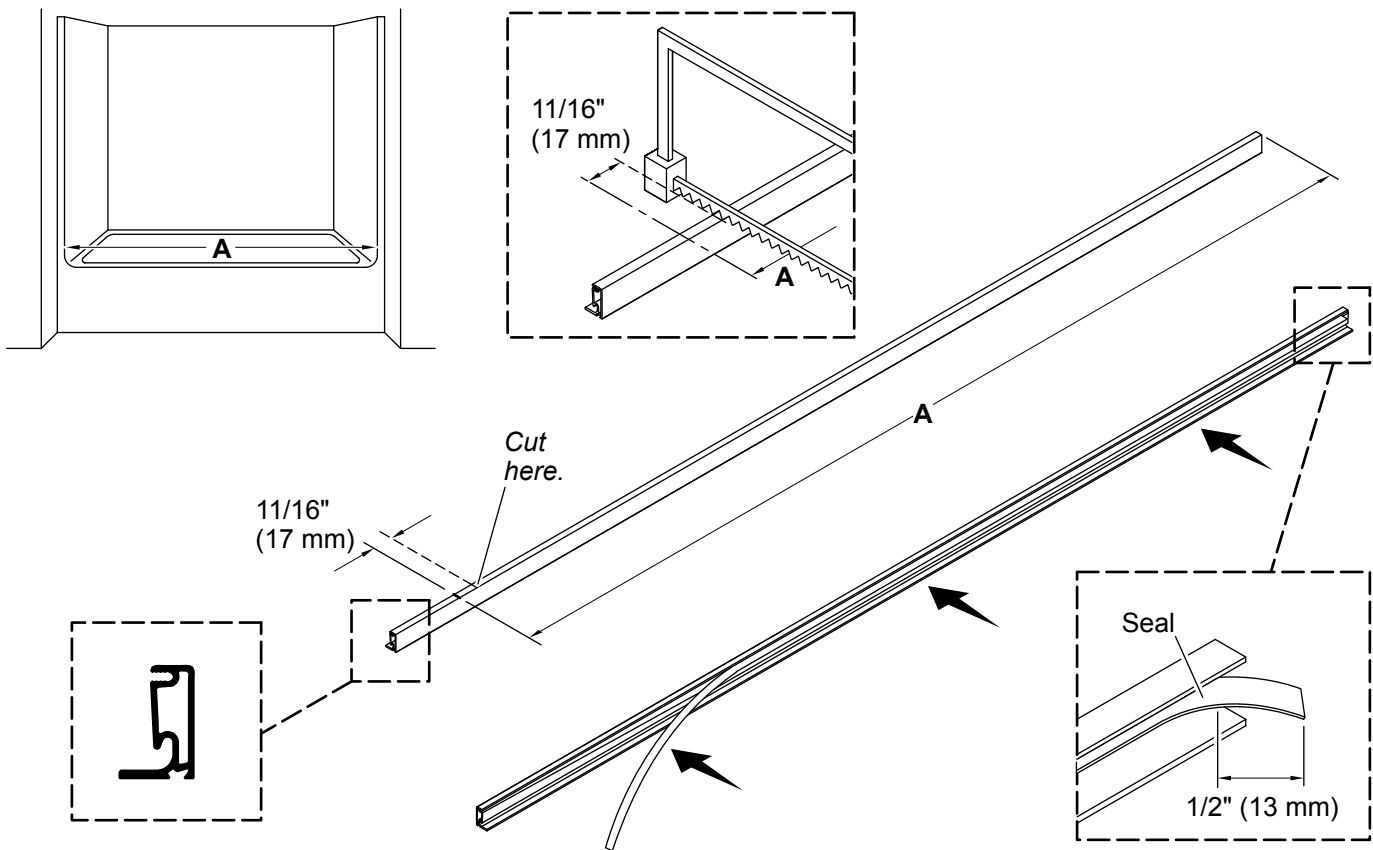
**IMPORTANT!** For proper door alignment and operation, confirm that the shower base/bath ledge and walls meet the following requirements. Do not install the door if these requirements are not met.

There must be at least 3" (76 mm) of flat surface on the shower base/bath ledge and walls.

Walls must be within 3/8" (10 mm) of plumb.

The shower base/bath ledge must be level between the walls.

## 2. Measure and Cut the Threshold



**⚠ WARNING: Risk of serious injury.** Always wear safety glasses while cutting and drilling.

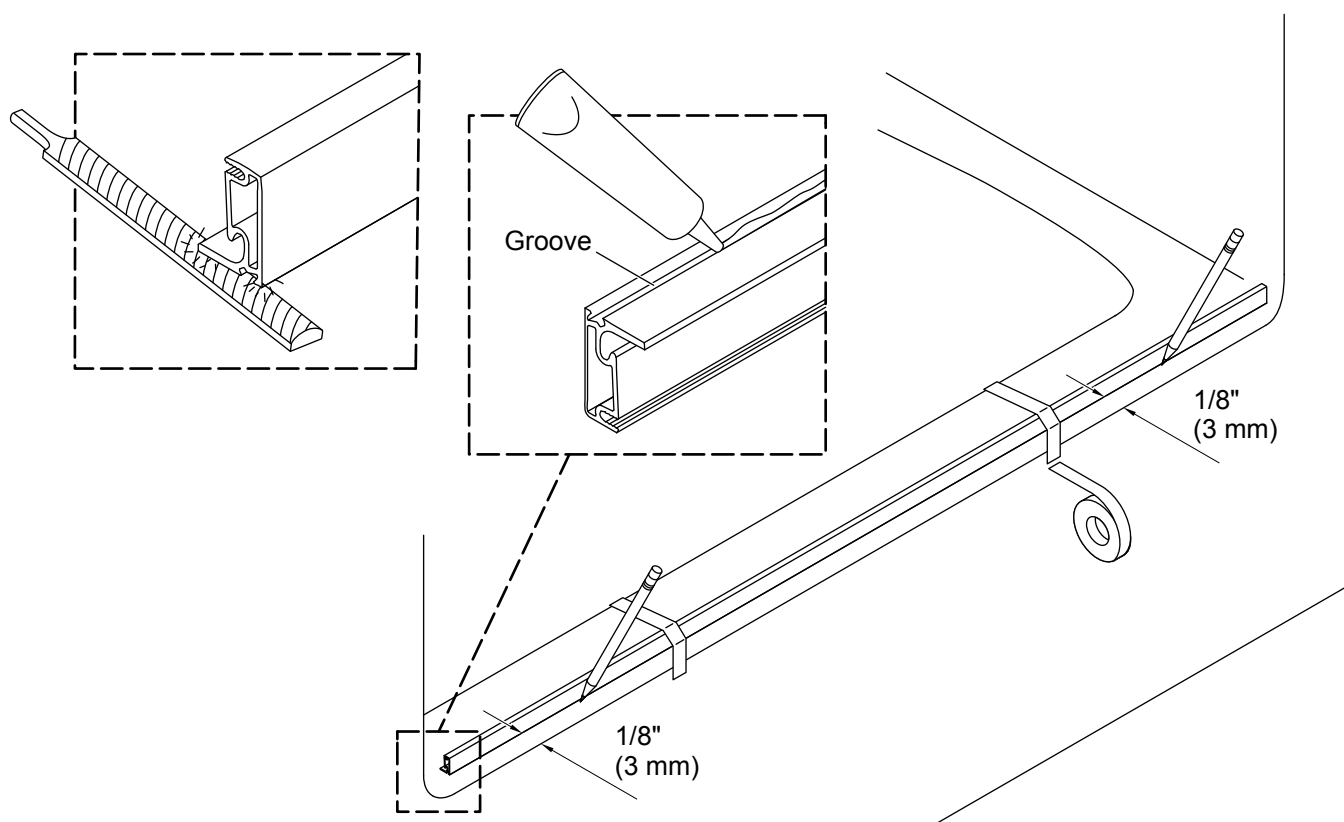
- Use a drop cloth to protect the shower surface.
- Measure distance "A" between the shower walls and mark it on the threshold.
- Measure 11/16" (17 mm) from "A" and make a second mark on the threshold, as shown.
- Cut the threshold at the second mark and file any rough edges.

**IMPORTANT!** The seal must be installed with at least 1/2" (13 mm) extending beyond each end of the threshold. The seal will be cut to fit after the threshold has been installed.

- Press the seal into the channel in the threshold, leaving approximately 1/2" (13 mm) extending beyond the end of the threshold.

### 3. Position the Threshold

---

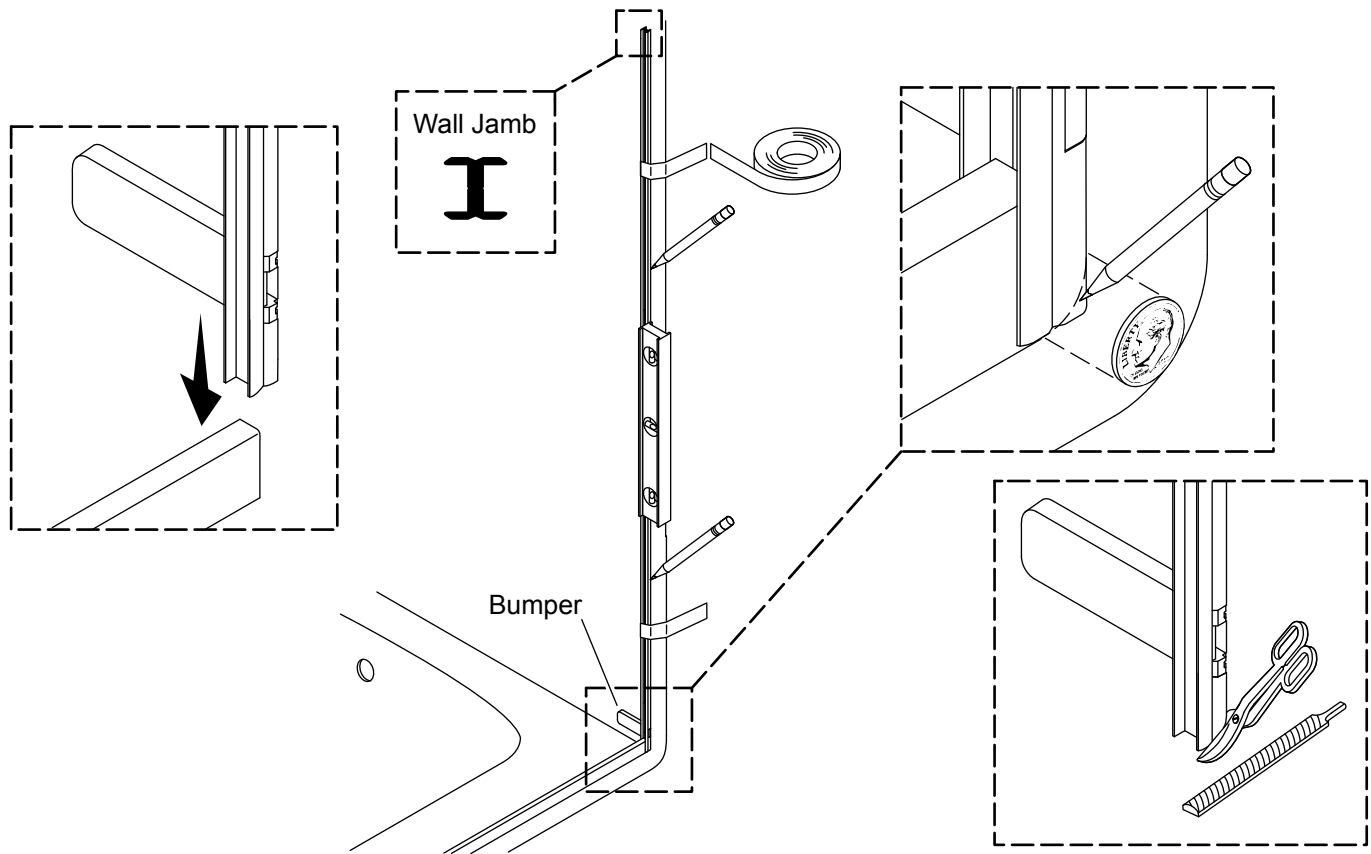


**NOTICE:** The threshold must sit on a flat surface.

- If needed, file the ends of the threshold to match the corner radius of the shower wall.
- Align the threshold 1/8" (3 mm) from the shower base/bath ledge along the entire length and mark its location.
- Apply 100% silicone sealant into the groove on the bottom of the threshold.
- Tape the threshold securely in place along the mark, centered between the walls.

## 4. Prepare the Wall Jambs

---



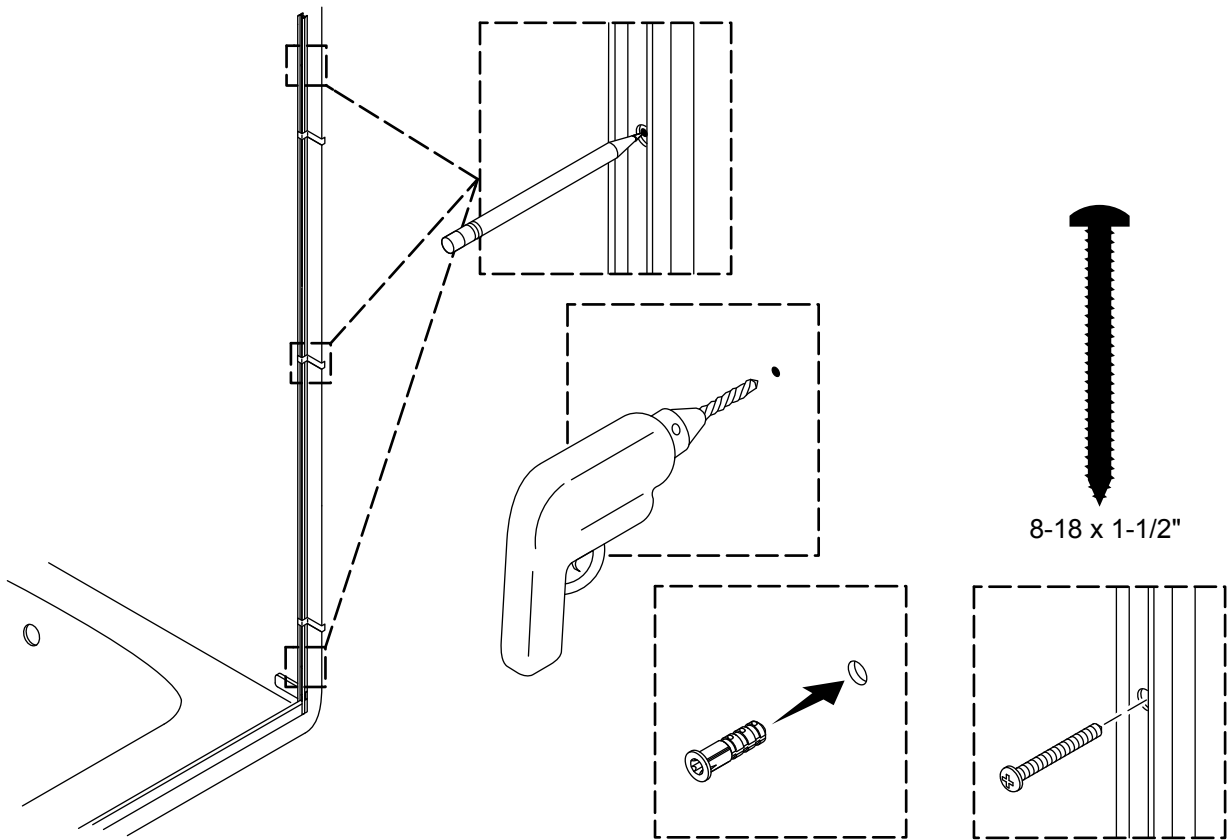
**IMPORTANT!** The wall jamb must fit tightly against the threshold and wall.

- Position the wall jamb on the threshold, against the wall, with the bumper pointing into the shower.
- If needed, shape and file the bottom corner to fit against the shower wall. Use a coin to match and transfer the corner radius.
- Plumb the wall jamb.
- Tape the wall jamb securely in place and mark its location.
- Repeat for the second wall jamb.
- Make sure the threshold is still parallel with the front of the shower base/bath ledge.



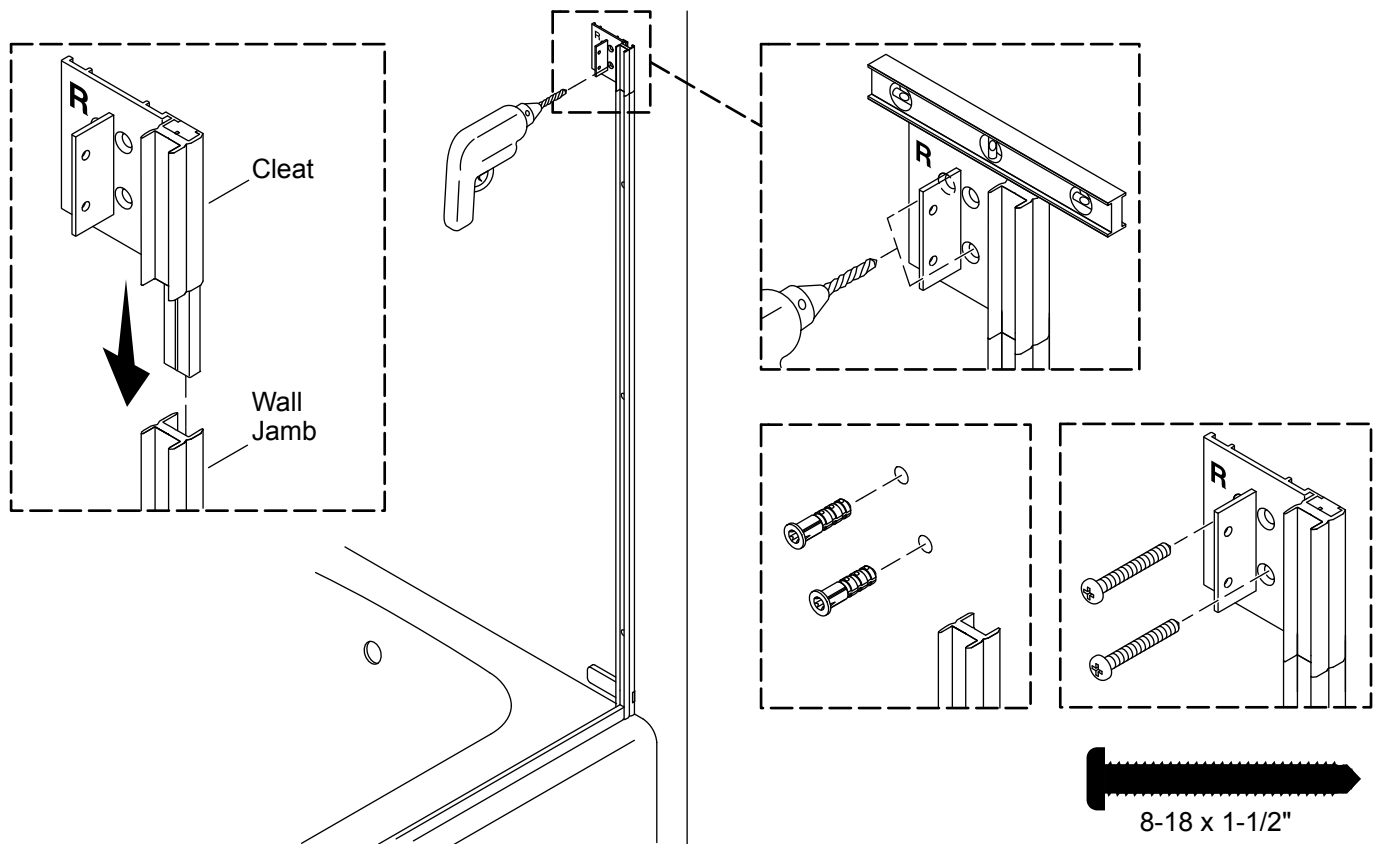
## 5. Install the Wall Jambs

---



- Mark the three anchor hole locations on each wall jamb with a pencil.
- Remove both wall jambs and set them aside.
- Drill a 1/4" hole at each marked location. Use a masonry bit for tile walls.
- Install the provided wall anchors. If necessary, gently tap the anchors until they are flush against the wall.
- Thoroughly clean the shower base and walls.
- Reposition the wall jamb, aligning with the anchor holes.
- Secure the wall jamb with three #8-18 x 1-1/2" screws.
- Repeat for the second wall jamb.

## 6. Install the Cleats



**NOTICE:** There is a left ("L") and right ("R") cleat. Position them inside the shower area.

- Slide the cleat into the channel between the wall jamb and the wall.

**NOTICE:** The cleat should be level and flat against the wall.

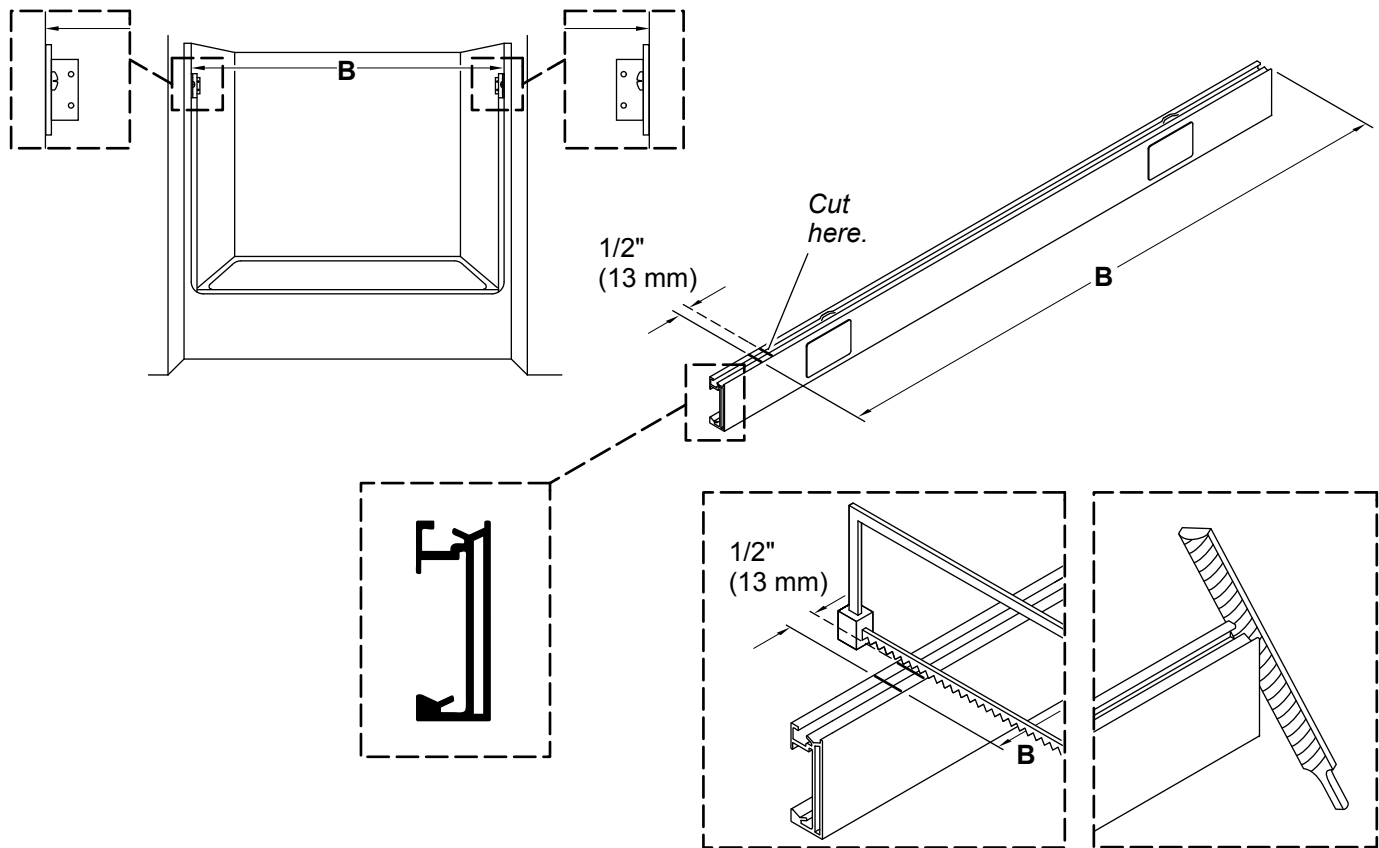
- Make sure the cleat sits flush against the top of the wall jamb.
- Hold the cleat level and firmly in place and use it as a guide to drill two diagonally opposed 1/4" holes in the wall. For example, top left and bottom right.
- Remove the cleat and install the provided wall anchors. If necessary, gently tap the anchors to fully seat them against the wall.
- Repeat for the second cleat.
- Thoroughly clean the shower base/bath floor, ledge, and wall.

**NOTICE:** The second set of holes can be used if the cleat is not level. Repeat the steps above, if needed.

- Secure each cleat to the wall using two #8-18 x 1-1/2" screws.
- Make sure the cleats are level. Loosen the screws and adjust the cleat position if needed.

## 7. Measure and Cut the Header

---

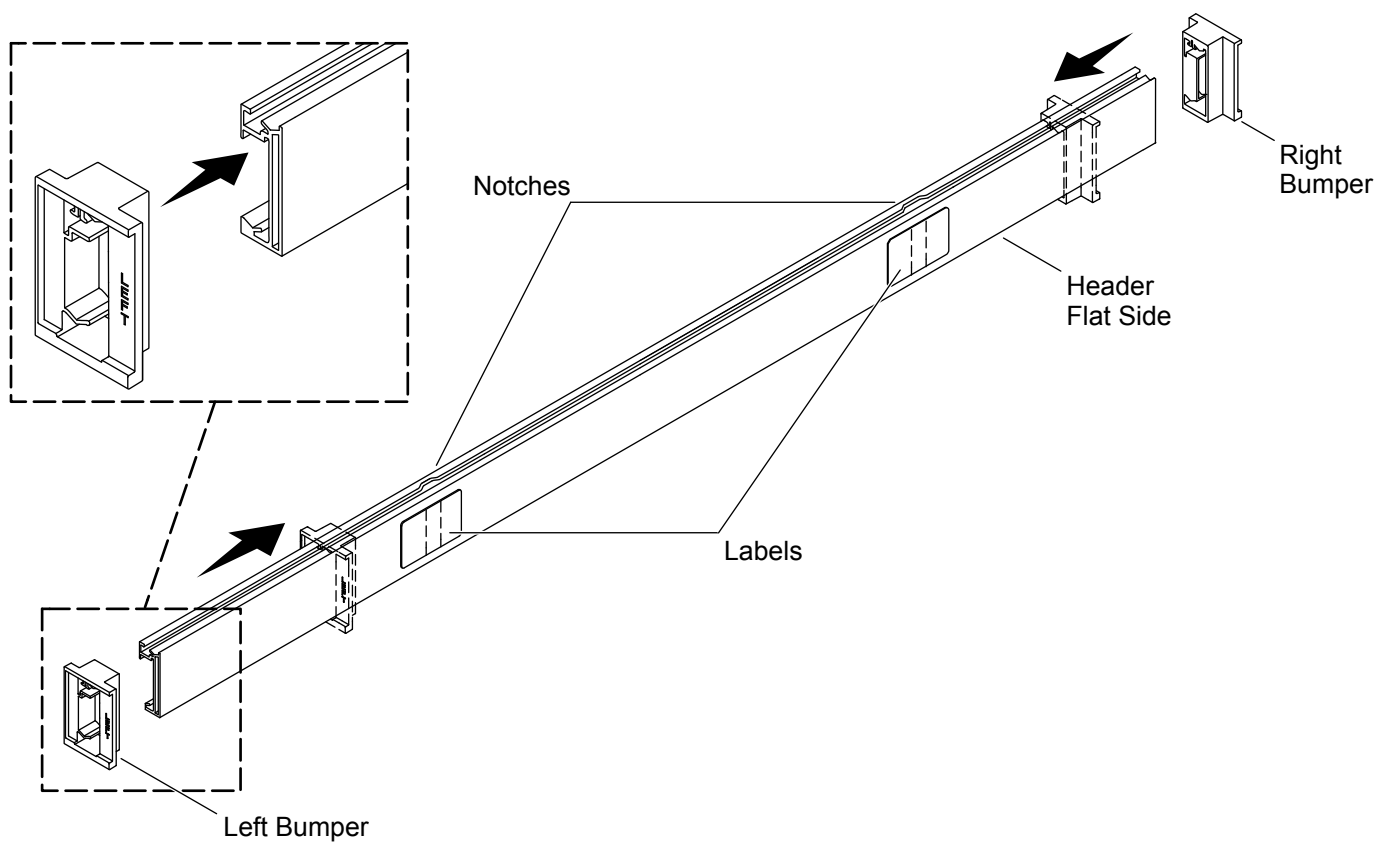


**IMPORTANT!** Confirm your measurements before cutting. Do not cut the header too short.

- Measure distance "B" between the shower walls and mark it on the header.
- Measure 1/2" (13 mm) from "B" and make a second mark on the header, as shown.
- Cut the header at the second mark.
- File any rough edges and clean debris from the roller tracks.

## 8. Install the Bumpers to the Header

---

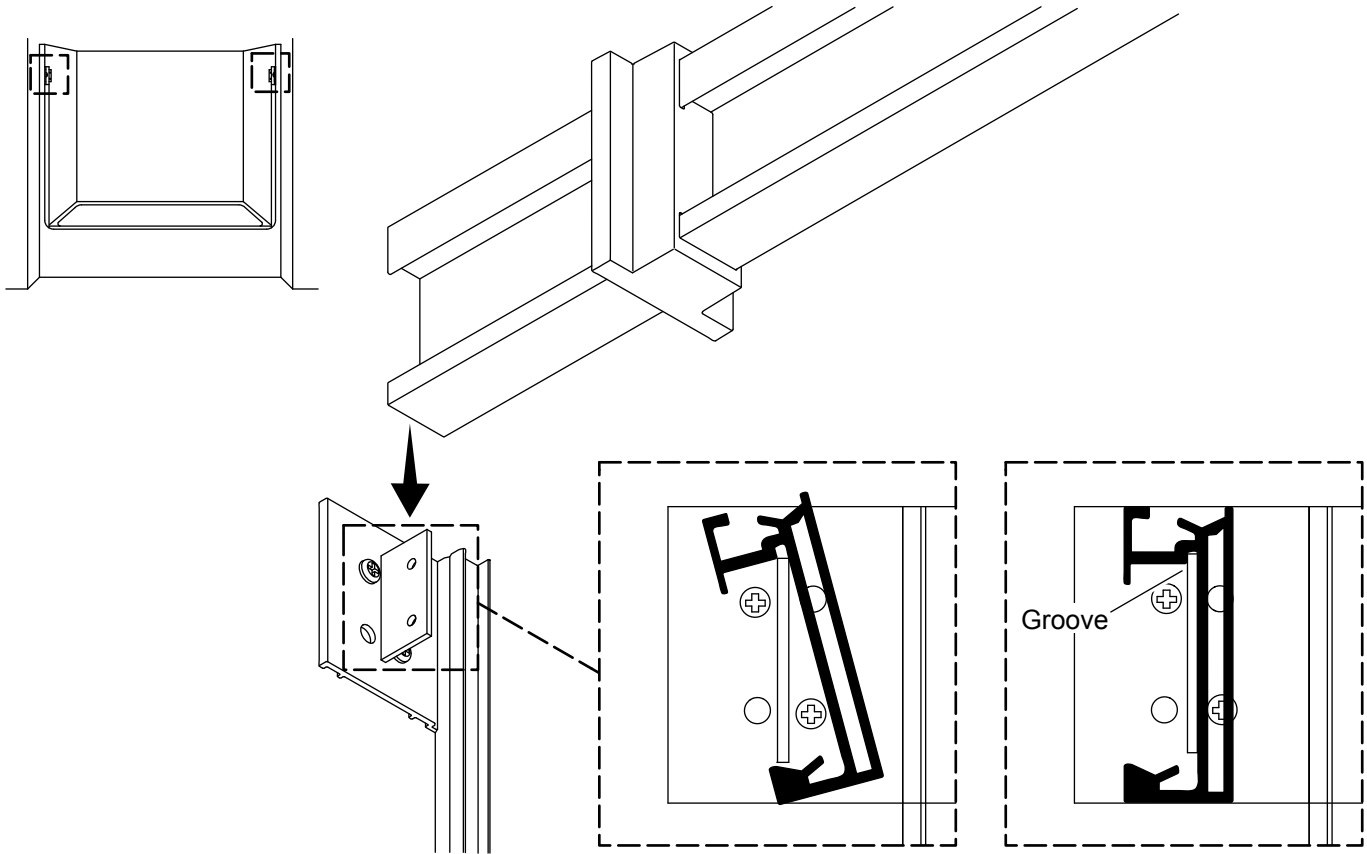


**NOTICE:** The words "LEFT" and "RIGHT" are molded into the bumpers.

- Locate the labels on the header and observe how they align with the notches on top.
- With the labels on the header facing you, identify the left and right ends of the header.
- Slide the appropriate bumper onto each end of the header, as shown.

## 9. Position the Header

---

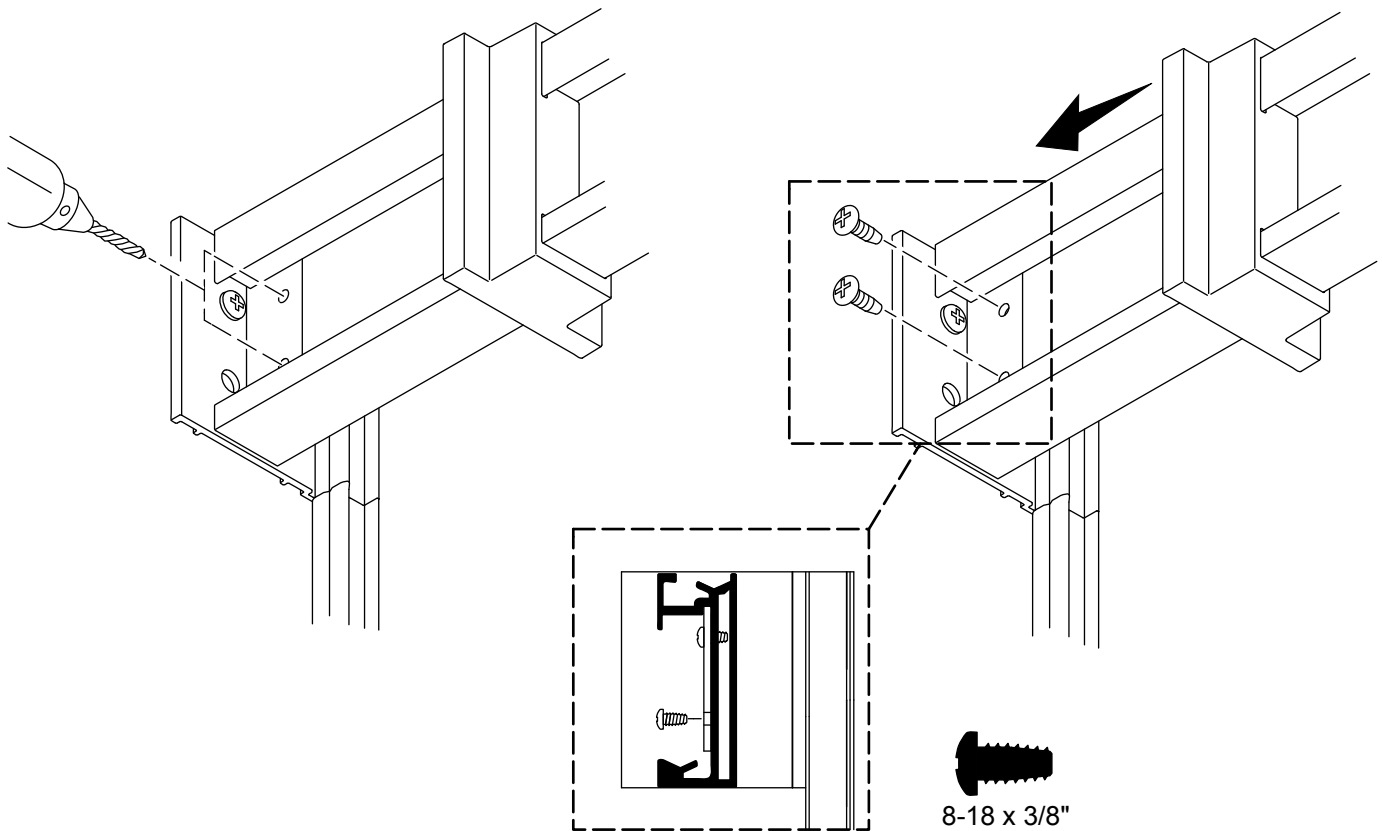


**NOTICE:** The labels on the header must face the outside of the shower.

- From inside the shower, raise the header above the cleats.
- Tilt the header and lower it onto the cleats, as shown.
- Make sure that the top of the header is properly hooked onto the cleats, as shown.
- Rotate the header in place, flat against the cleats.

## 10. Secure the Header

---

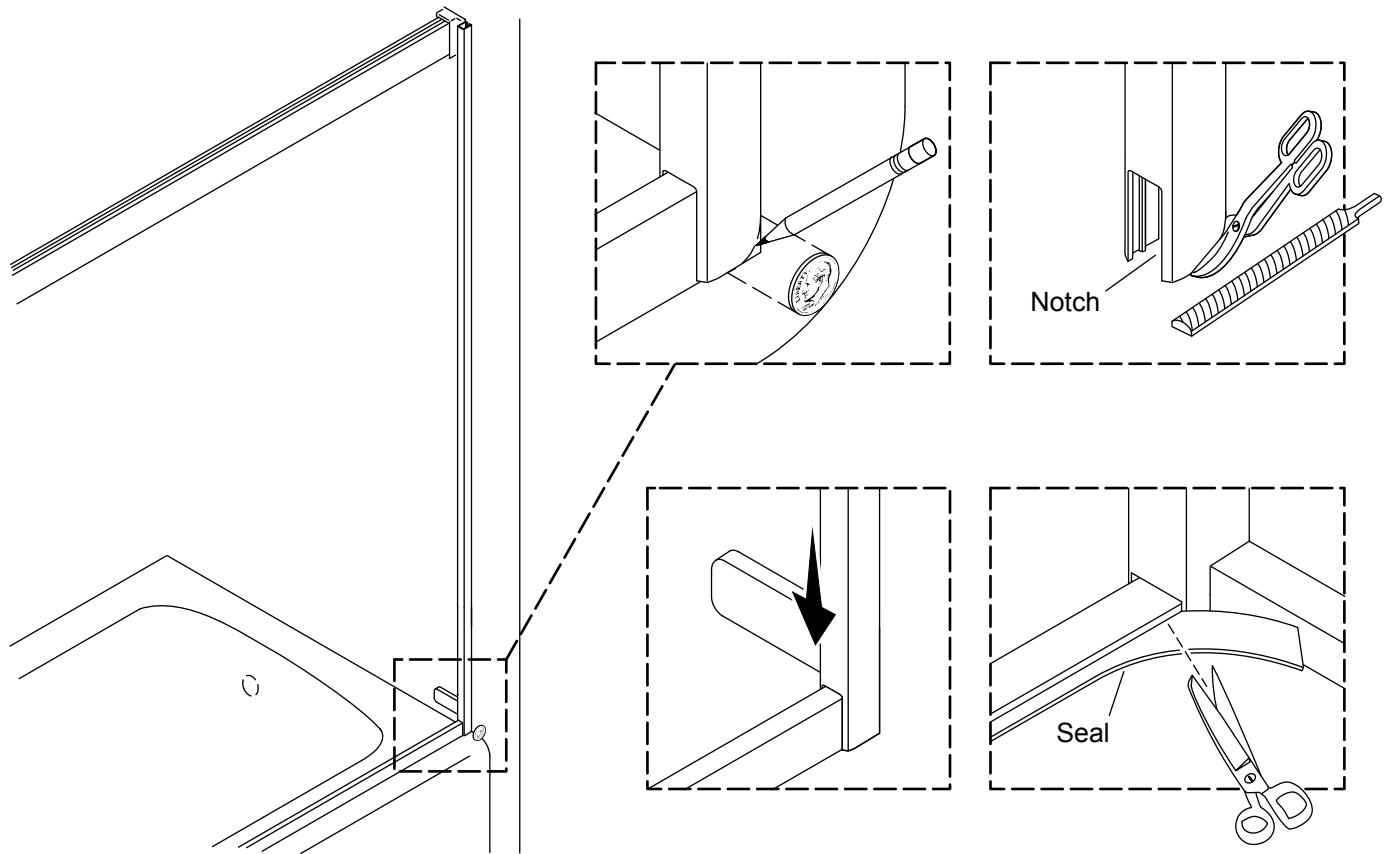


**⚠ CAUTION: Risk of personal injury.** Position hands away from the drilling locations when drilling through the header.

**⚠ CAUTION: Risk of product damage.** When securing the header to each cleat, do not drill through the second wall of the header.

- From inside the shower, drill two 9/64" holes through the header using the cleats as a template.
- From inside the shower, secure the header to each cleat with two #8-18 x 3/8" self-drilling screws.
- Carefully and thoroughly clean the header. Make sure there is no debris in the roller tracks.
- Slide the bumpers flush against each wall.

## 11. Install the Wall Jamb Covers

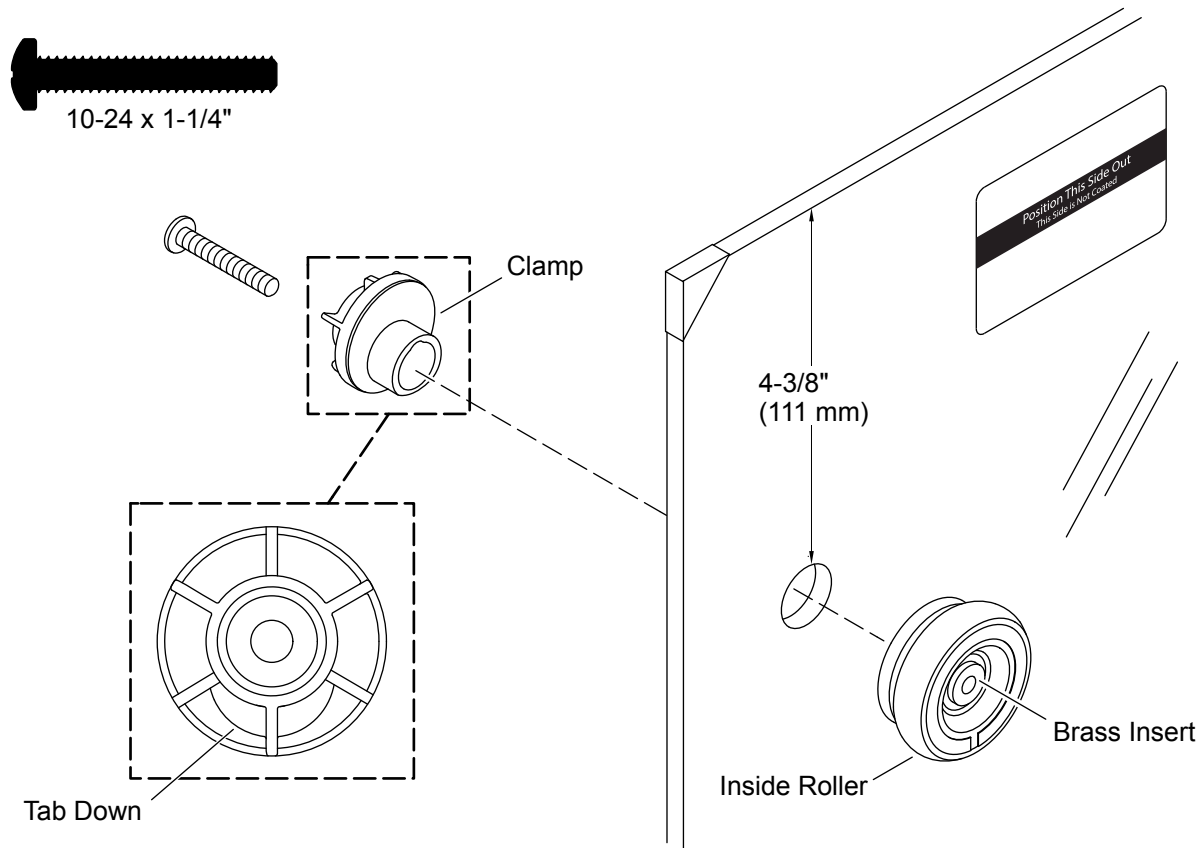


- If needed, shape and file the bottom corner of the wall jamb cover to match the corner radius of the shower wall.
- Repeat for the second wall jamb cover.
- Position the notch in the wall jamb cover over the threshold.
- Press the wall jamb cover onto the wall jamb.

**NOTICE:** The wall jamb covers will not sit flush against the wall.

- Repeat for the second wall jamb cover.
- Trim the threshold seal flush with the wall jamb covers.

## 12. Assemble the Inside Panel



**NOTICE:** The inside panel roller mounting holes are 4-3/8" (111 mm) below the top of the panel.

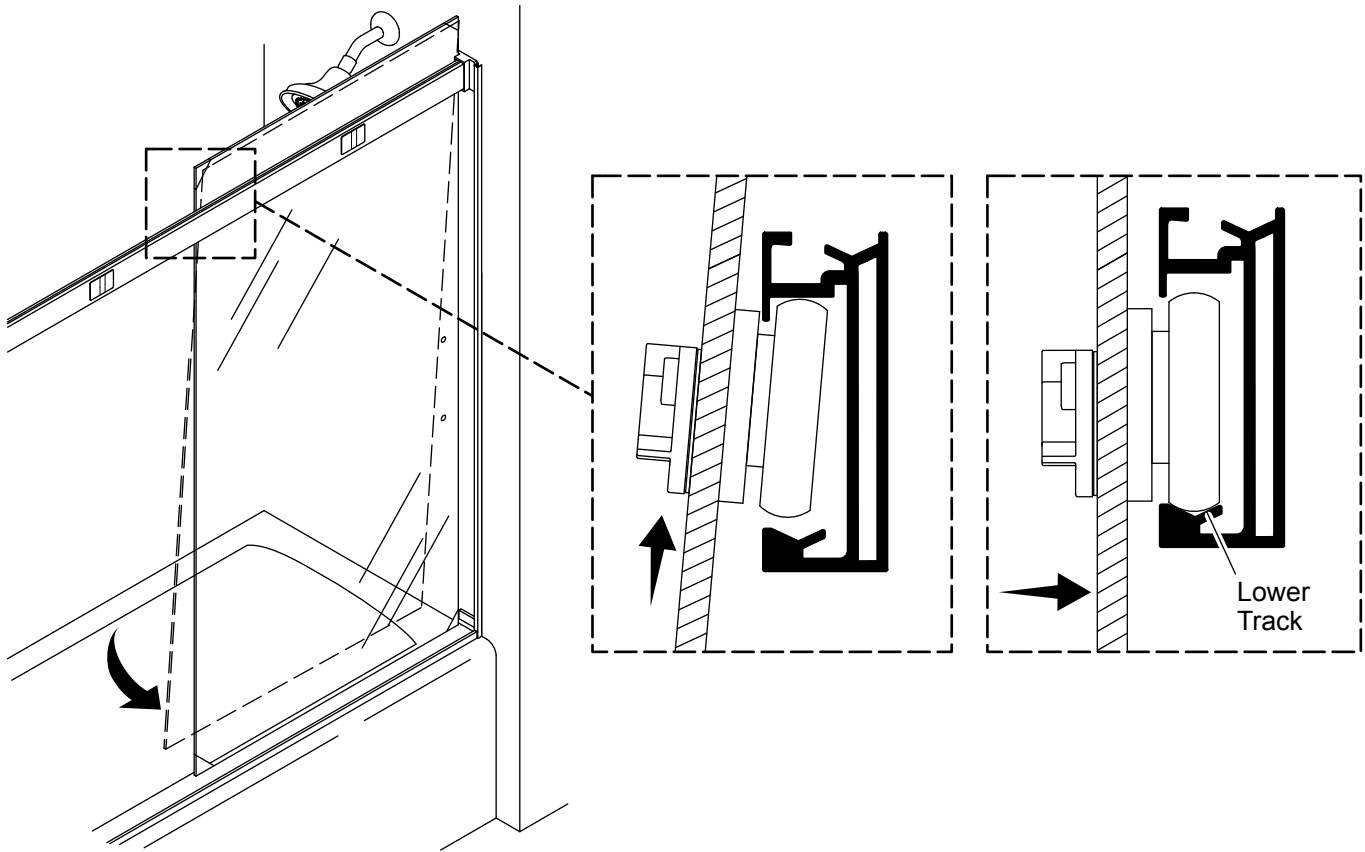
**NOTICE:** The inside rollers contain a brass insert.

- Position each roller on the same side of the panel as the label.
- Install each inside roller with the tab down. This will position the door at its lowest setting.
- Secure each roller with a #10-24 x 1-1/4" screw.
- Using a hand screwdriver only, securely tighten the screws.



## 13. Install the Inside Panel

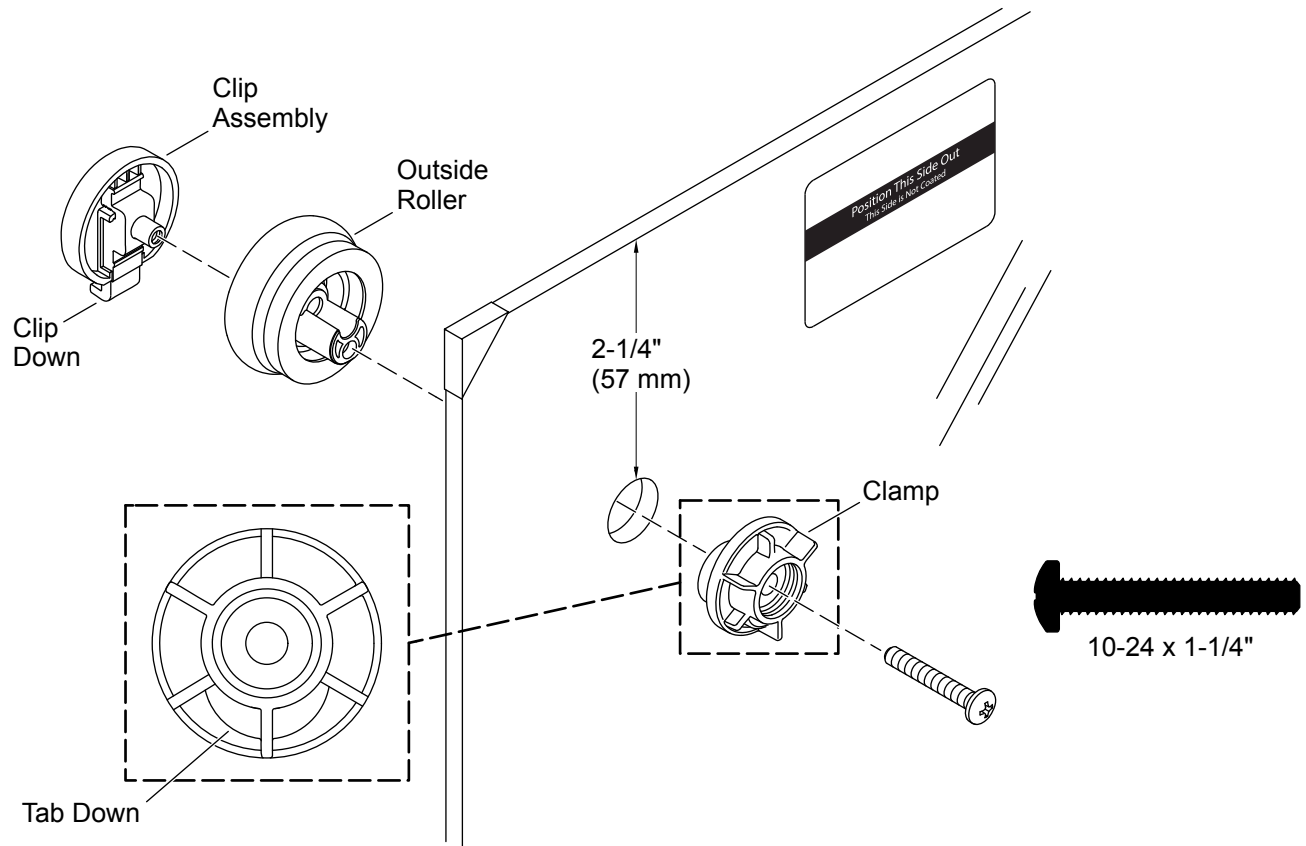
---



**NOTE:** The rollers and the label face the outside of the shower.

- With help, move the inside panel completely into the shower area.
- With help, from inside the shower, tilt the panel to position the tops of the rollers inside the header. Rest the rollers on the lower track of the header and set the panel in place.
- Ensure that the panel can roll back and forth smoothly. If necessary, adjust the rollers according to the instructions in the "Adjust the Rollers" section.

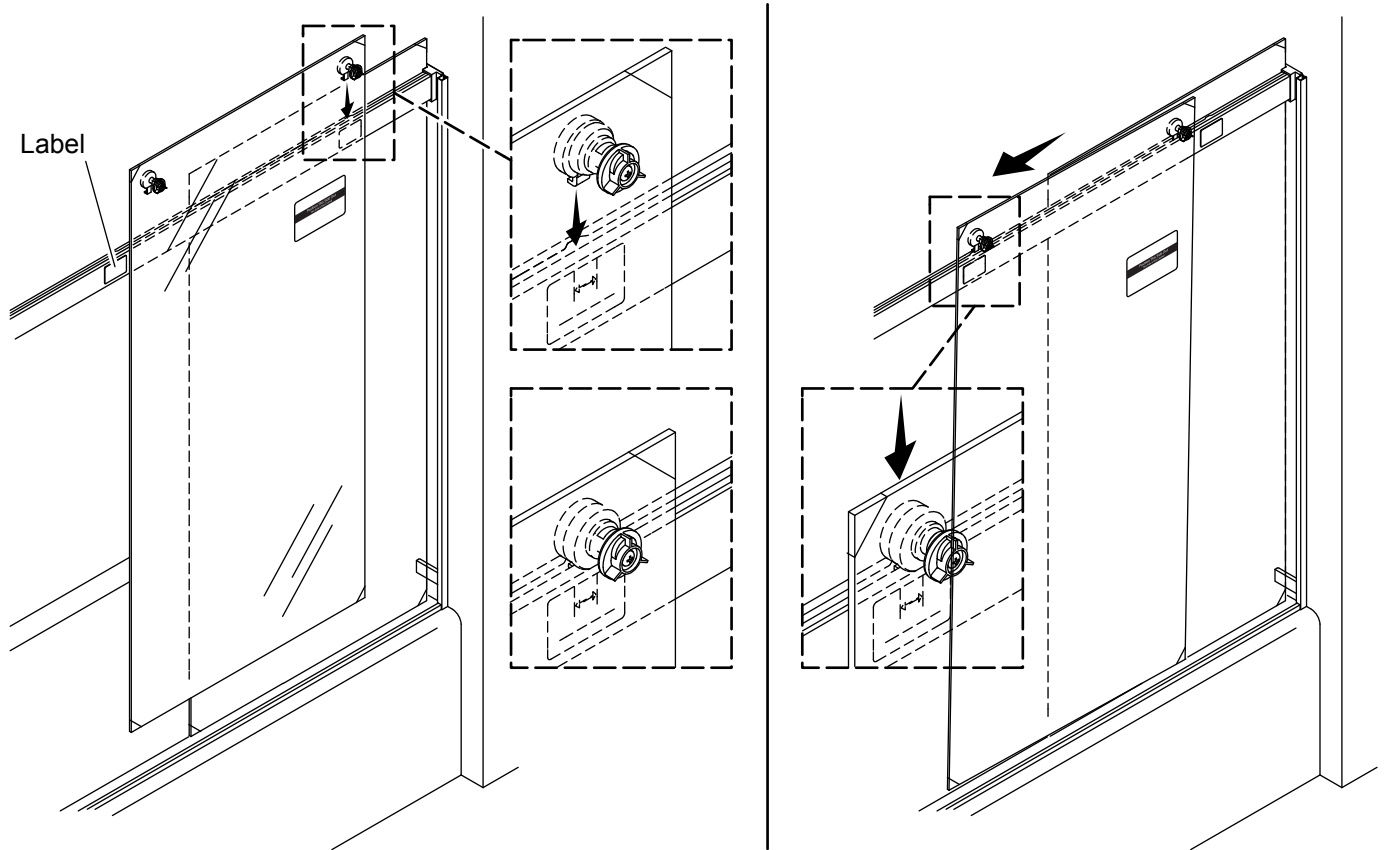
## 14. Assemble the Outside Panel



**NOTICE:** The outside panel roller mounting holes are 2-1/4" (57 mm) below the top of the panel.

- Position the roller on the opposite side of the panel as the label.
- Install the outside rollers with the tab on the clamp down. This will position the door in the lowest setting.
- Secure each roller with a #10-24 x 1-1/4" screw.
- Hold the clip downward as the screw is tightened.
- Using a hand screwdriver only, tighten the screws securely until the clip cannot be rotated by hand.

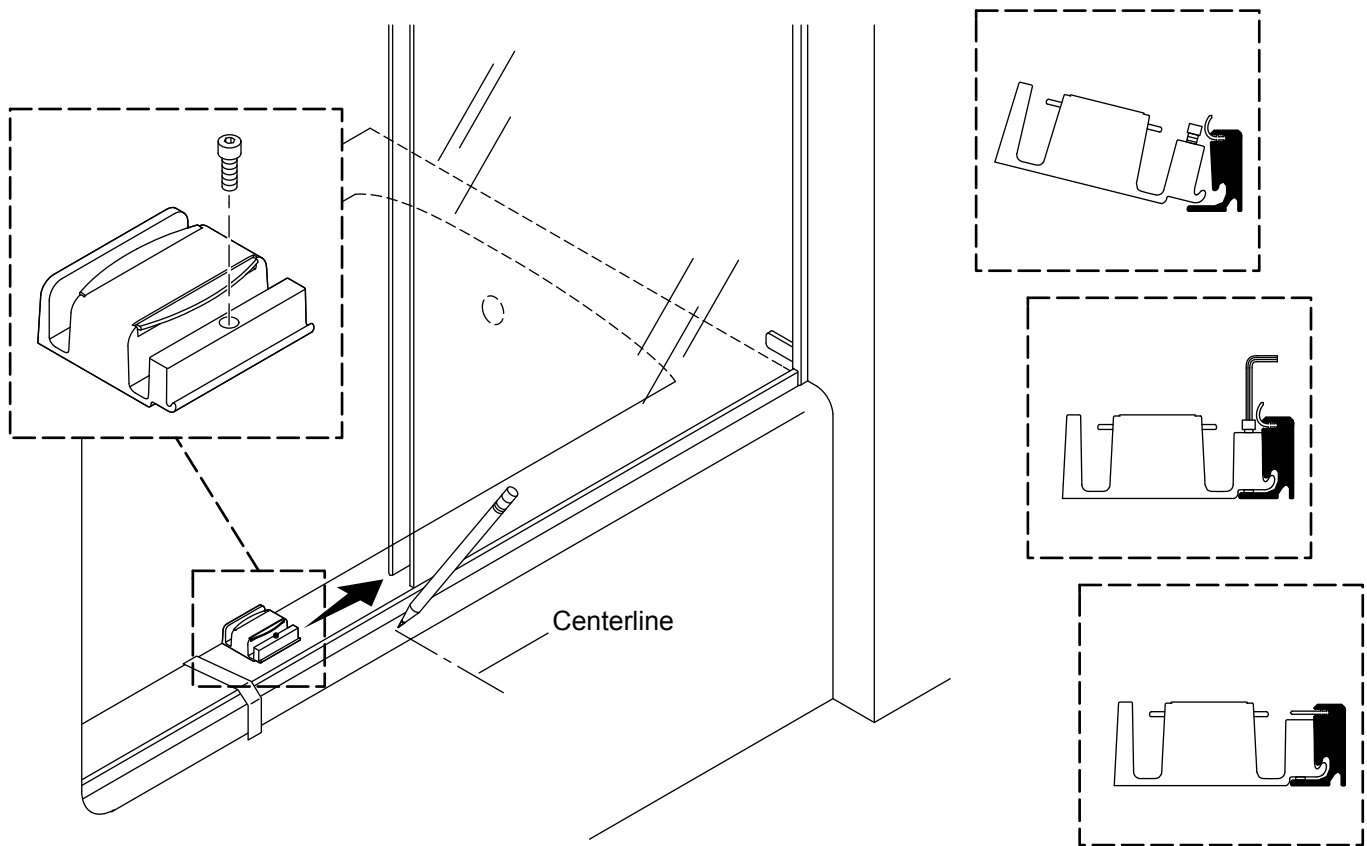
## 15. Install the Outside Panel



**NOTICE:** Locate the notches on the header, which are aligned with the "Panel Installation Area" labels.

- With help, from outside the shower, lift the panel, align one roller clip with a notch, and set the roller on the roller track.
- Lift the opposite end of the panel so the second roller is above the header. Slide the panel to align the second roller clip with the second notch. Set the roller onto the roller track.

## 16. Install the Centerguide

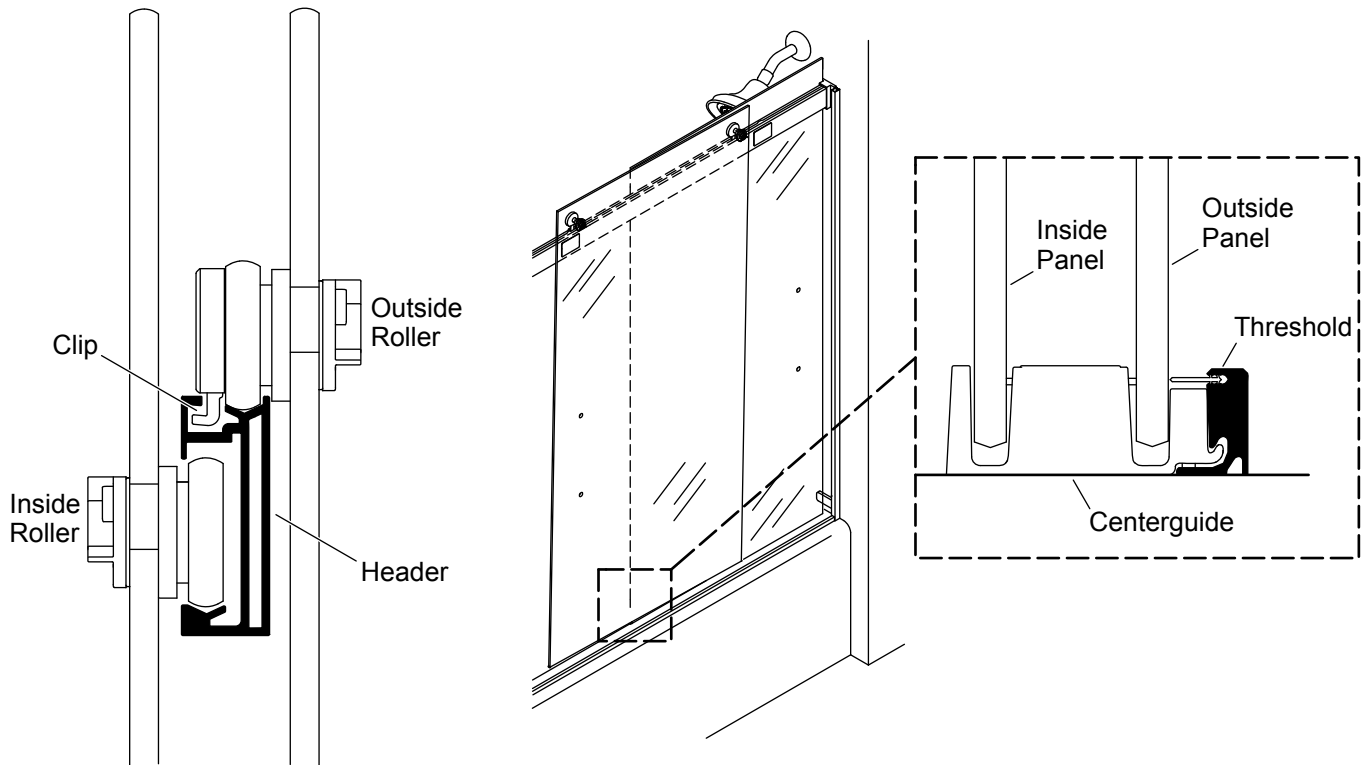


**IMPORTANT!** The centerguide must be fully seated behind the threshold lip as shown.

- Slide both door panels to one end of the shower.
- Thread the screw partially into the centerguide hole. The screw should not protrude from the bottom of the centerguide.
- Measure and mark the centerline of the threshold on the outside of the shower base/bath ledge.
- Rotate the centerguide into place in the threshold groove, as shown.
- Shift the centerguide along the threshold until the screw aligns with the centerline mark.
- Slide the door panels into the centerguide channels.
- Lift the threshold seal to access the screw.
- Handtighten the screw with a 5/32" hex wrench, then tighten an additional one half turn.

## 17. Confirm Correct Installation

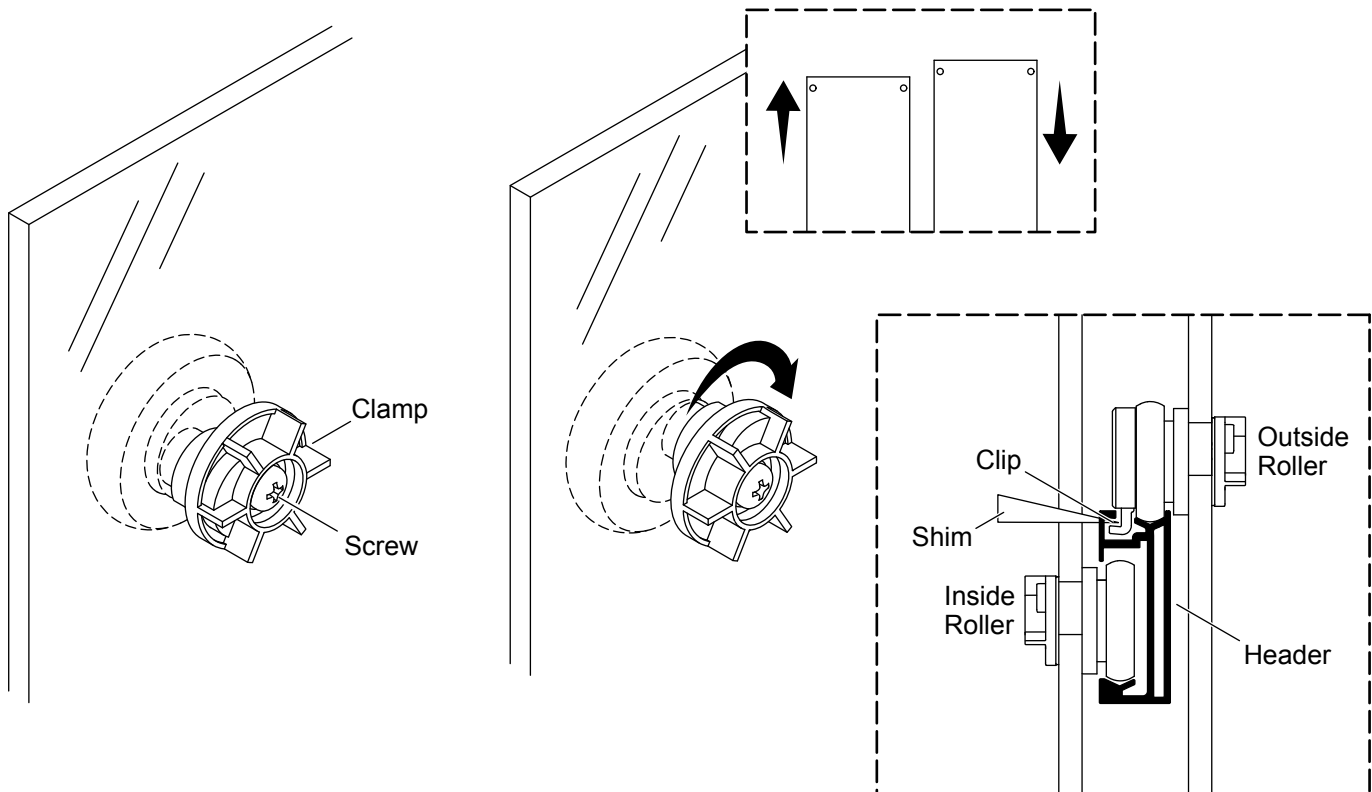
---



- Confirm all rollers are engaged in the header tracks.
- The tops of the inside rollers should be inside the header.
- The clips on the outside rollers should be engaged inside the top edge of the header. They should not be visible.
- The bottoms of the door panels must be engaged in the centerguide channels.
- The centerguide must be securely attached to the threshold.

## 18. Adjust the Rollers

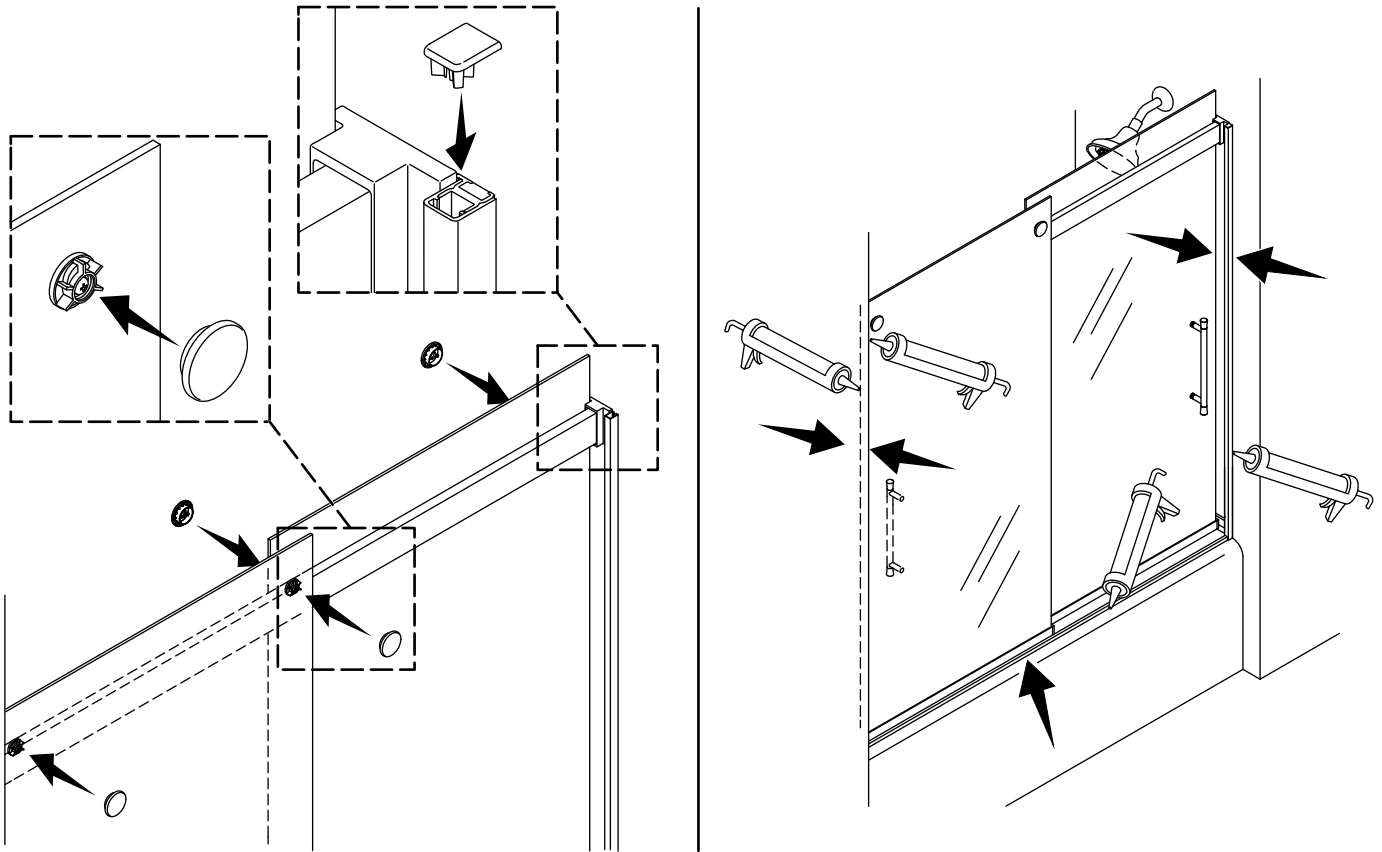
---



**NOTE:** The rollers may require adjustment if a panel does not move, makes a scraping sound when moved, or if an upper or lower bumper does not make contact when closed.

- Adjust the alignment of each end of the panel by loosening the screws and turning the adjustment clamp.
- When adjusting the outside panel, hold the clip cover straight or insert a wood shim under the cover while securely tightening the screws so the clip does not scrape in its track.
- Repeat until the door operates smoothly and aligns evenly with the shower walls.
- Confirm the clips are still oriented correctly (see the "Confirm Correct Installation" section). Securely tighten the screws.

## 19. Complete the Installation



- Snap a cap into place on each of the four rollers.
- Press a cap into the top of each wall jamb.
- Install the towel bar or handle using the separate instructions provided.
- Apply 100% silicone sealant along the wall jambs inside and outside the shower/bath.
- Apply 100% silicone sealant along the outside edge of the threshold.

# Troubleshooting

This troubleshooting guide is for general aid only. For service and installation issues or concerns, call 1-800-4KOHLER.

Symptoms	Probable Cause	Recommended Action
1. The door is noisy when opened or closed.	<p><b>A.</b> An outer roller clip is not pointed straight down and is scraping inside the header.</p> <p><b>B.</b> An outer roller is not tight, causing the clip to scrape inside the header.</p> <p><b>C.</b> Door panels are too low, causing them to scrape on the base of the centerguide or on the shower base/bath ledge.</p> <p><b>D.</b> Rollers have worn and are noisy.</p>	<p><b>A.</b> Loosen the outer roller screw, rotate the clip so that it points straight down and is engaged in the header, and securely tighten the roller screw.</p> <p><b>B.</b> Tighten the outer roller screws, ensuring that the clips point straight down.</p> <p><b>C.</b> Adjust the rollers to raise the door panels so they no longer scrape. See the "Adjust the Rollers" section.</p> <p><b>D.</b> Replace the rollers.</p>
2. The door is hard to move or does not open.	<p><b>A.</b> A roller clip is not pointed straight down and is scraping inside the header.</p> <p><b>B.</b> Door panels are too low, causing them to scrape on the base of the centerguide or on the shower base/bath ledge.</p> <p><b>C.</b> The threshold seal is not fully seated, causing the door panel to rub.</p>	<p><b>A.</b> Loosen the roller screw, rotate the clip so that it points straight down and engaged in the header, and securely tighten roller screw.</p> <p><b>B.</b> Adjust the rollers to raise the door panels so they no longer scrape.</p> <p><b>C.</b> Push the seal completely into the threshold.</p>
3. The door panels are free to swing in and out of the shower.	<p><b>A.</b> The centerguide is not installed.</p> <p><b>B.</b> The centerguide is not installed in the correct location.</p> <p><b>C.</b> The door panels are not correctly installed on the centerguide.</p> <p><b>D.</b> The door is the incorrect size for the shower opening.</p>	<p><b>A.</b> Install the centerguide according to the instructions.</p> <p><b>B.</b> Install the centerguide on the center of the shower base/bath ledge.</p> <p><b>C.</b> The door panels should ride in the centerguide channels.</p> <p><b>D.</b> Obtain the correct product for your shower opening.</p>
4. The centerguide is loose.	<p><b>A.</b> The centerguide screw is not fully tightened.</p> <p><b>B.</b> The centerguide is not correctly installed on the shower base/bath ledge.</p>	<p><b>A.</b> Using the provided hex wrench, tighten the screw until the centerguide cannot be moved by hand.</p> <p><b>B.</b> Verify that the centerguide hook is engaged in the threshold.</p>



Symptoms	Probable Cause	Recommended Action
<p>5. Water leaks.</p>	<p><b>A.</b> Water leaks under the threshold.</p> <p><b>B.</b> Water leaks under a door panel.</p> <p><b>C.</b> Water leaks under a door panel.</p> <p><b>D.</b> Water leaks between door panels.</p> <p><b>E.</b> Water leaks between a door panel and a wall jamb.</p> <p><b>F.</b> Water leaks between a door panel and a wall jamb.</p> <p><b>G.</b> Water leaks behind wall jamb.</p>	<p><b>A.</b> Apply 100% silicone sealant to the outside edge of the threshold. See silicone sealant manufacturer's instructions before using shower.</p> <p><b>B.</b> Adjust the rollers so the bottoms of the door panels are closer to the shower base/bath ledge. See the "Adjust the Rollers" section.</p> <p><b>C.</b> Remove wall jamb covers and make sure that cleats are installed correctly. If there is a gap between the wall jamb and the cleat, the door panels could be installed too high.</p> <p><b>D.</b> When showering, make sure that the inside panel is closest to the showerhead.</p> <p><b>E.</b> Adjust the rollers so that the bumpers contact the wall and the door panel evenly. See the "Adjust the Rollers" section.</p> <p><b>F.</b> Order and install the optional seal kit.</p> <p><b>G.</b> Apply 100% silicone sealant to the outside and inside edges of the wall jamb. See silicone sealant manufacturer's instructions before using shower.</p>
<p>6. Handle is not securely installed.</p>	<p><b>A.</b> Door panel not properly cleaned before handle installed or handle not pressed down firmly during installation.</p>	<p><b>A.</b> Clean door panel and install new handle.</p>

# Instructions d'installation

## Portes coulissantes de douche et de baignoire

### Merci d'avoir choisi KOHLER

---

**Besoin d'aide?** Appeler notre centre de services à la clientèle.

USA/Canada : 1-800-4KOHLER (1-800-456-4537)

Mexique : 001-800-456-4537

**Pour tout renseignement sur les pièces de rechange**, visiter le site [kohler.com/serviceparts](https://kohler.com/serviceparts).

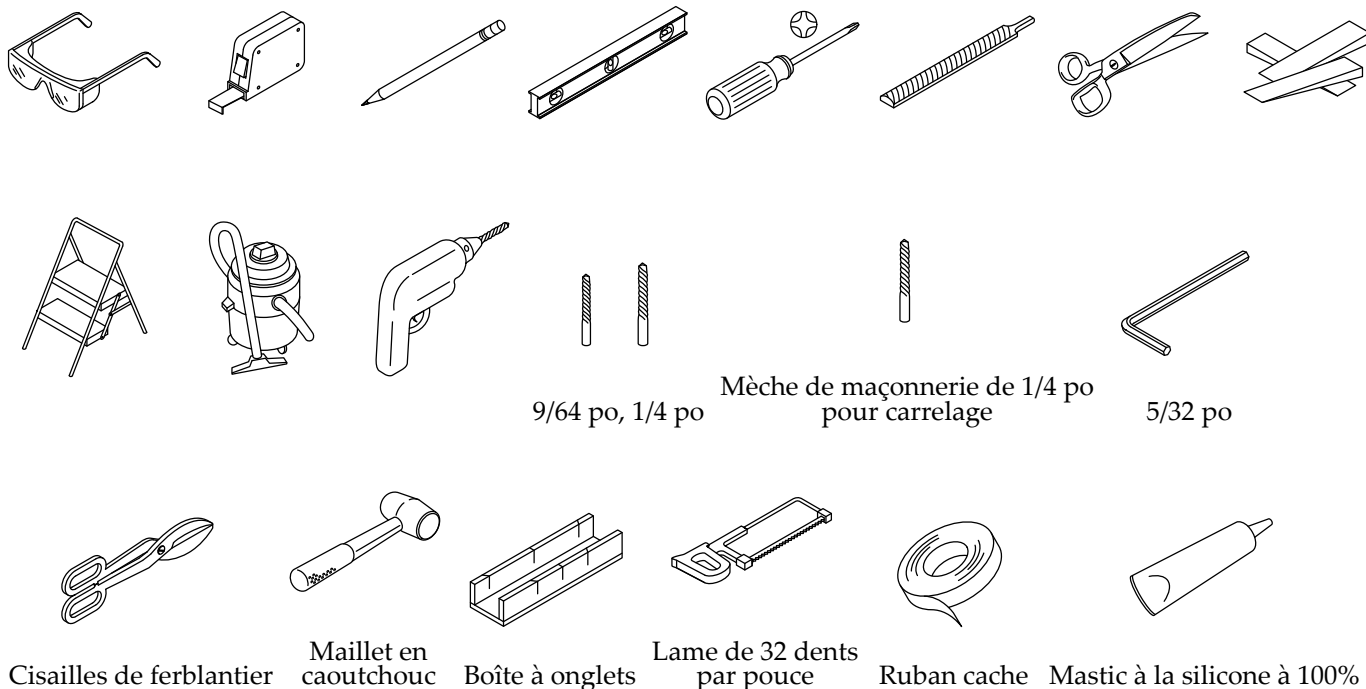
**Pour des renseignements sur l'entretien et le nettoyage**, visiter le site [kohler.com/clean](https://kohler.com/clean).

### Garantie

---

Ce produit est couvert sous la **Garantie limitée d'un an KOHLER®**, fournie sur le site [kohler.com/warranty](https://kohler.com/warranty). Pour obtenir une copie imprimée des termes de la garantie, s'adresser au centre de service à la clientèle.

## Outils et matériel



## Avant de commencer

- ⚠ AVERTISSEMENT : Risque de blessures graves.** Des dommages avant l'installation peuvent entraîner des éclatements de verre. Inspecter le verre et toutes les pièces pour y rechercher des dommages avant l'installation.
- ⚠ AVERTISSEMENT : Risque de blessures graves.** Une installation incorrecte peut entraîner des éclatements de verre. Suivre toutes les instructions d'installation.
- ⚠ AVERTISSEMENT : Risque de blessures graves.** Ne pas couper le verre trempé. Le verre trempé éclate lorsqu'il est coupé.
- ⚠ AVERTISSEMENT : Risque de blessures graves.** La porte de la douche et les panneaux latéraux peuvent éclater. Inspecter régulièrement le verre et toutes les pièces pour y rechercher des dommages, ou des pièces manquantes ou desserrées.
- ⚠ AVERTISSEMENT : Risque de blessures graves.** Toujours porter des lunettes de sécurité pendant la découpe et le perçage.
- ⚠ ATTENTION : Risque de blessures.** Le verre trempé ne doit pas entrer en contact avec des surfaces dures, car il risquerait de se briser. Ne pas toucher le bord du panneau de verre trempé avec des outils ou des objets durs.

**IMPORTANT!** Laisser ce manuel pour l'utilisateur final. Lire ces instructions avant d'installer ou d'utiliser ce produit.

**IMPORTANT!** Cette porte est conçue pour s'adapter à des murs qui ont un faux aplomb de moins de 3/8 po (10 mm). Vérifier que la zone sur laquelle la porte sera fixée est comprise dans un rayon de 3/8 po (10 mm) de l'aplomb. La porte risque de ne pas fonctionner correctement si le faux aplomb du mur est supérieur à 3/8 po (10 mm).

Recouvrir le drain avec du ruban afin d'éviter de perdre les petites pièces.

Identifier toutes les pièces avant l'installation.

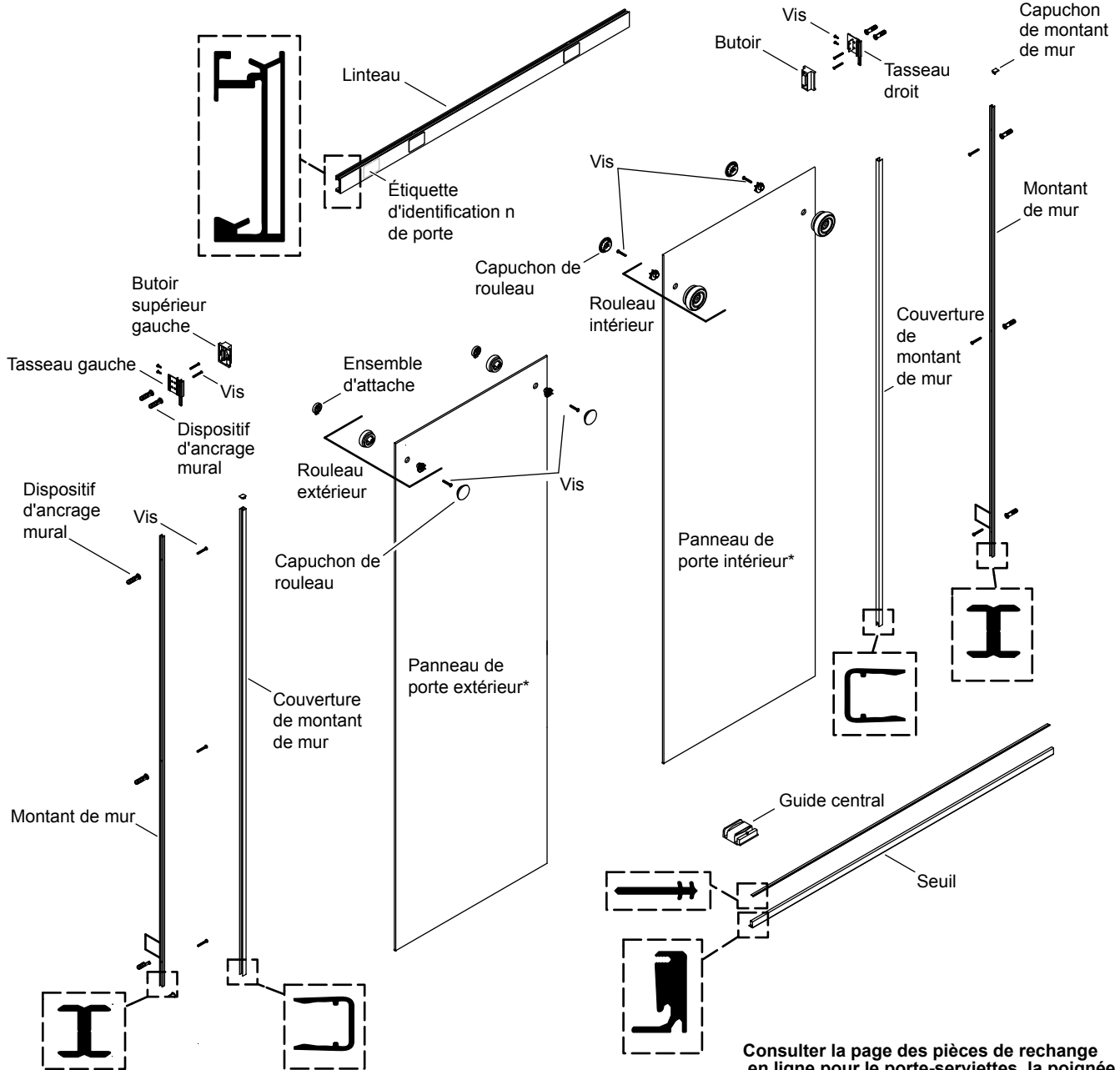
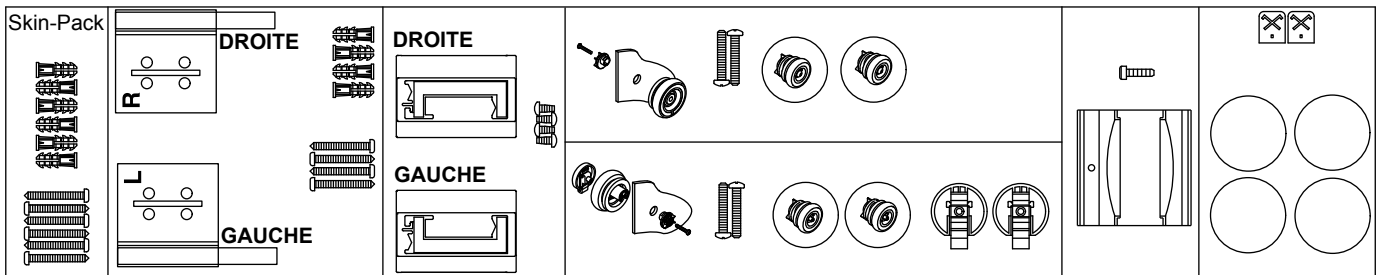
Identifier le panneau intérieur et le panneau extérieur en comparant la distance entre le bord supérieur du verre et l'orifice de fixation des galets. Les galets situés sur le panneau intérieur sont montés à un niveau inférieur de celui du panneau extérieur.

Suivre les instructions du fabricant du mastic à la silicone en ce qui concerne l'application et le temps de prise.

Deux personnes doivent effectuer cette installation.

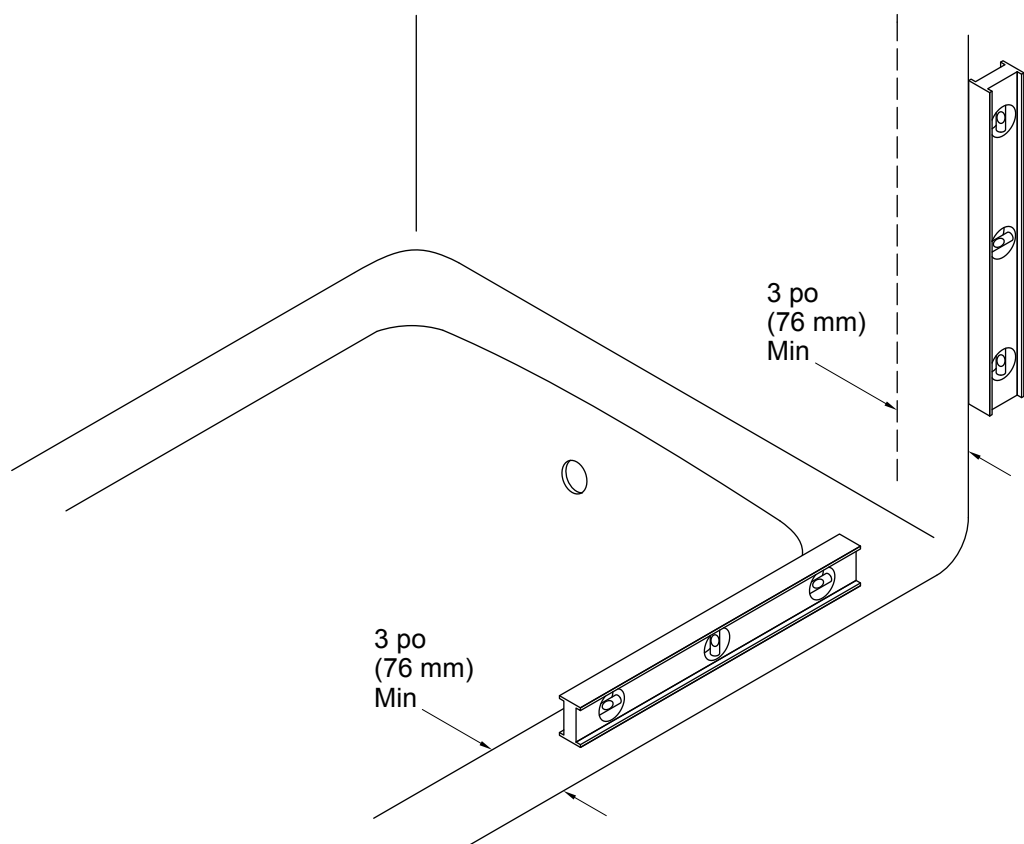
Regarder cette installation en ligne; visiter le site [kohler.com](http://kohler.com) et rechercher le numéro du produit en question.

# Identification des pièces



Consulter la page des pièces de rechange en ligne pour le porte-serviettes, la poignée et toutes les pièces de rechange disponibles.

## 1. Vérifier la compatibilité entre le rebord et le mur



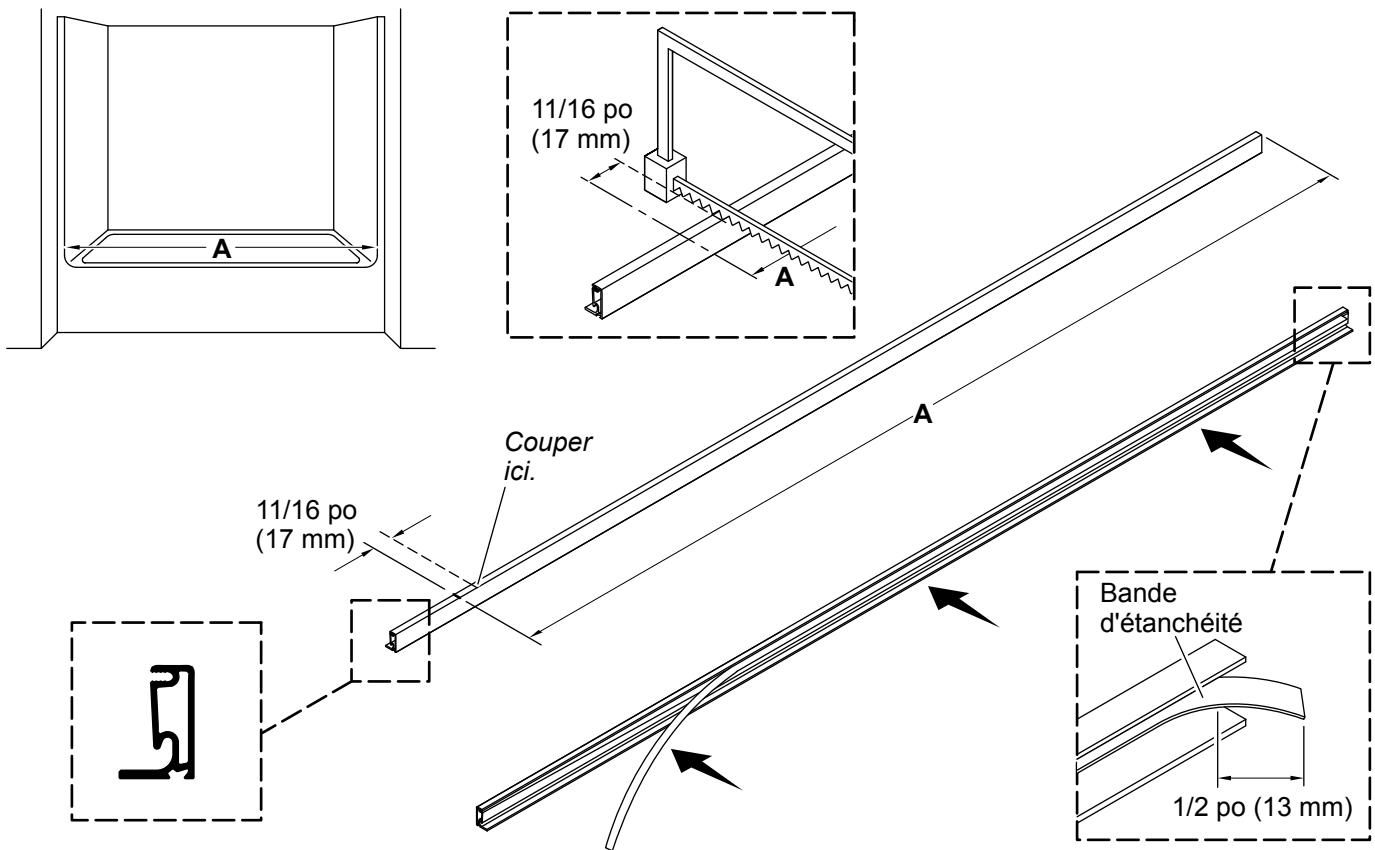
**IMPORTANT!** Pour un alignement et un fonctionnement adéquats, vérifier que la base de la douche/le rebord de la baignoire et les murs sont conformes aux conditions requises suivantes. Ne pas installer la porte si ces conditions requises ne sont pas présentes.

Une surface plate de 3 po (76 mm) au moins doit être présente sur la base de la douche/le rebord de la baignoire et les murs.

Les murs doivent être compris dans un rayon de 3/8 po (10 mm) de l'aplomb.

La base de la douche/le rebord de la baignoire doivent être de niveau entre les murs.

## 2. Mesurer et couper le seuil



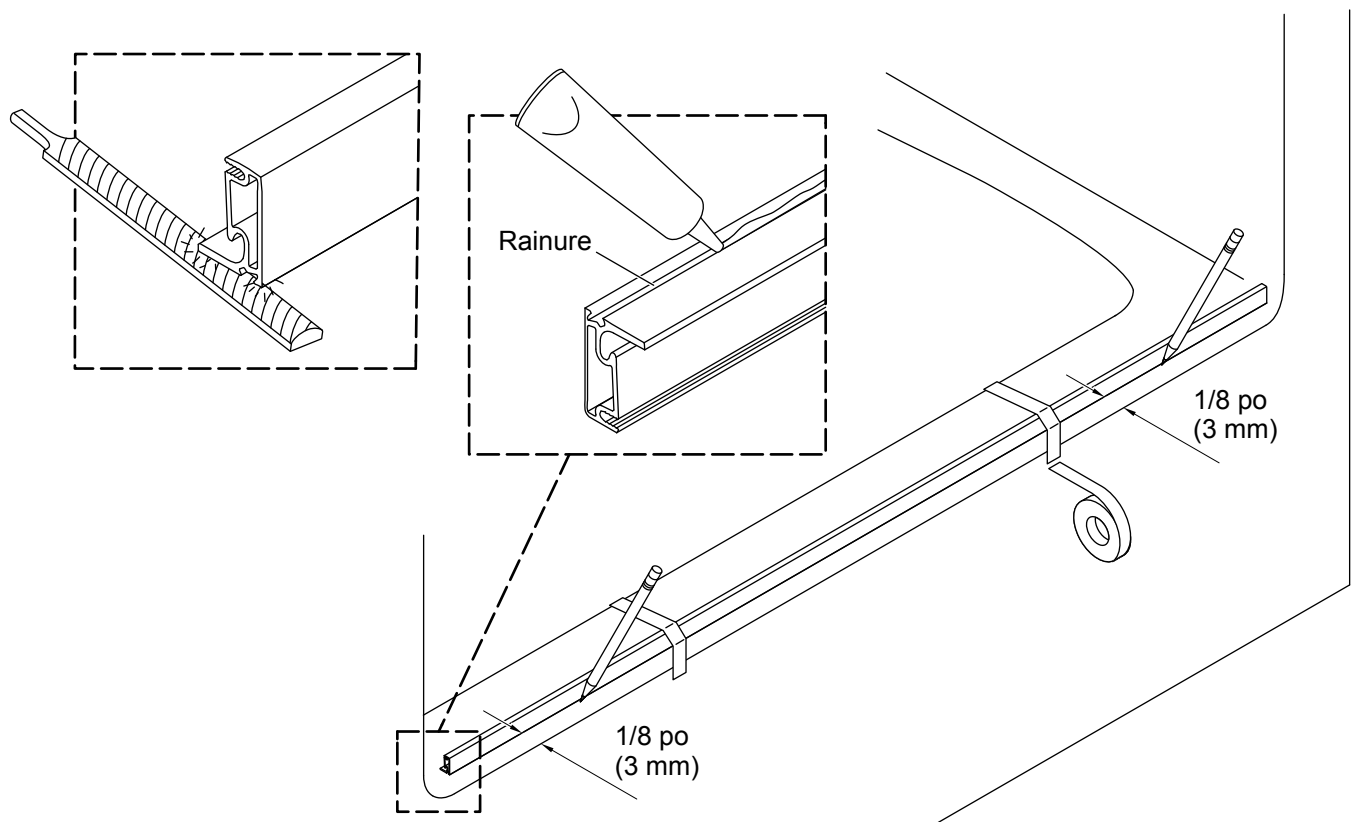
**⚠ AVERTISSEMENT : Risque de blessures graves.** Toujours porter des lunettes de sécurité pendant la découpe et le perçage.

- Utiliser une toile de protection pour protéger la surface de la douche.
- Mesurer la distance « A » entre les murs de la douche et la marquer sur le seuil.
- Mesurer 11/16 po (17 mm) à partir de « A » et placer un deuxième repère sur le seuil comme sur l'illustration.
- Couper le seuil au niveau du deuxième repère et limer tous les bords bruts.

**IMPORTANT!** Le joint d'étanchéité doit être installé avec 1/2 po (13 mm) au moins se prolongeant au-delà de chaque extrémité du seuil. Le joint d'étanchéité sera coupé pour être adapté une fois que le seuil sera installé.

- Enfoncer le joint d'étanchéité dans le canal dans le seuil, en laissant 1/2 po (13 mm) environ se prolonger au-delà de l'extrémité du seuil.

### 3. Positionner le seuil

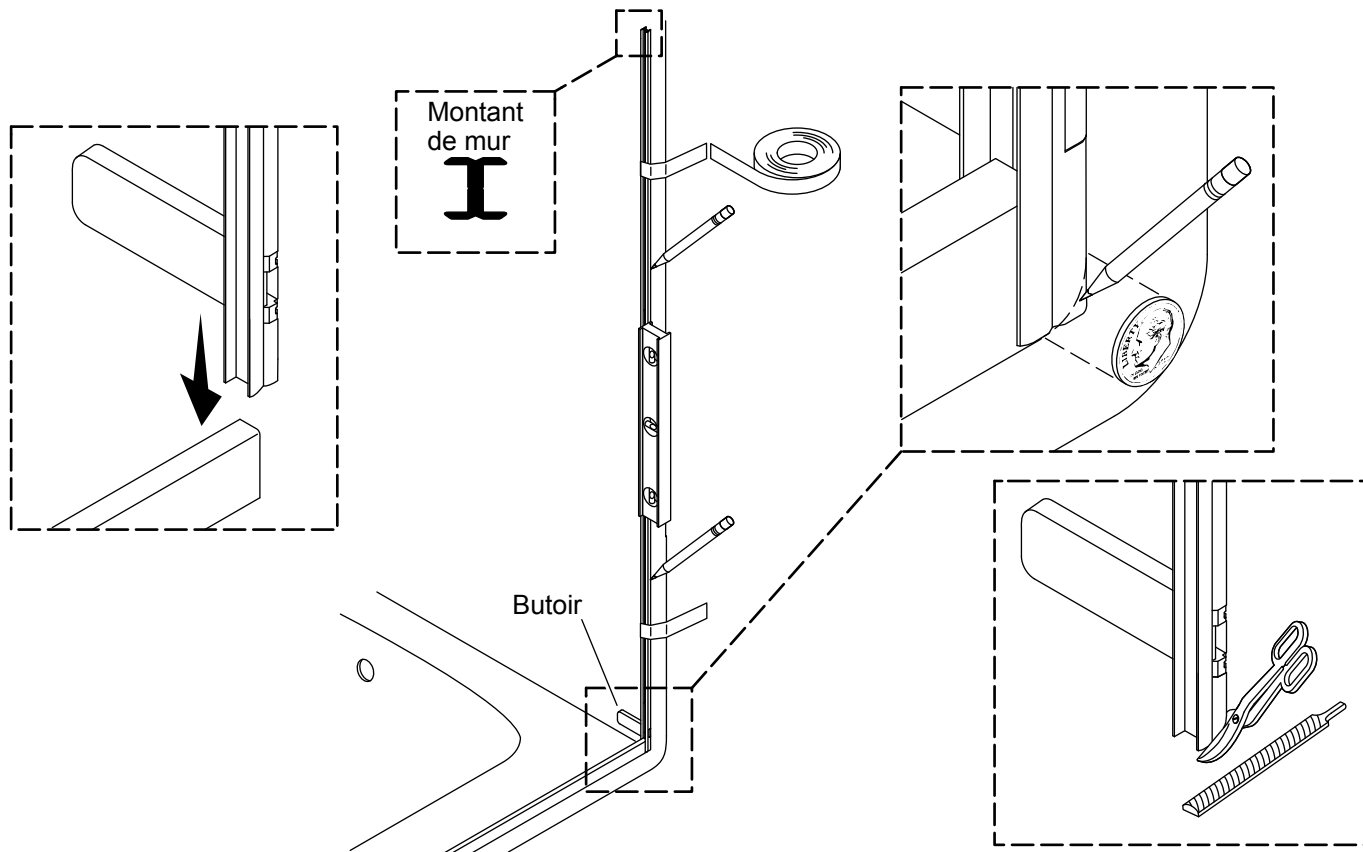


**AVIS :** Le seuil doit reposer sur une surface plate.

- Si nécessaire, limer les extrémités du seuil pour les adapter au rayon de bec du mur de la douche.
- Aligner le seuil de manière à ce qu'il soit à une distance de 1/8 po (3 mm) de la base de la douche/du rebord de la baignoire le long de toute sa longueur et marquer son emplacement.
- Appliquer du mastic à la silicone à 100% sur la rainure dans le fond du seuil.
- Bien fixer le seuil en place avec du ruban le long du repère, de manière à ce qu'il soit centré entre les murs.



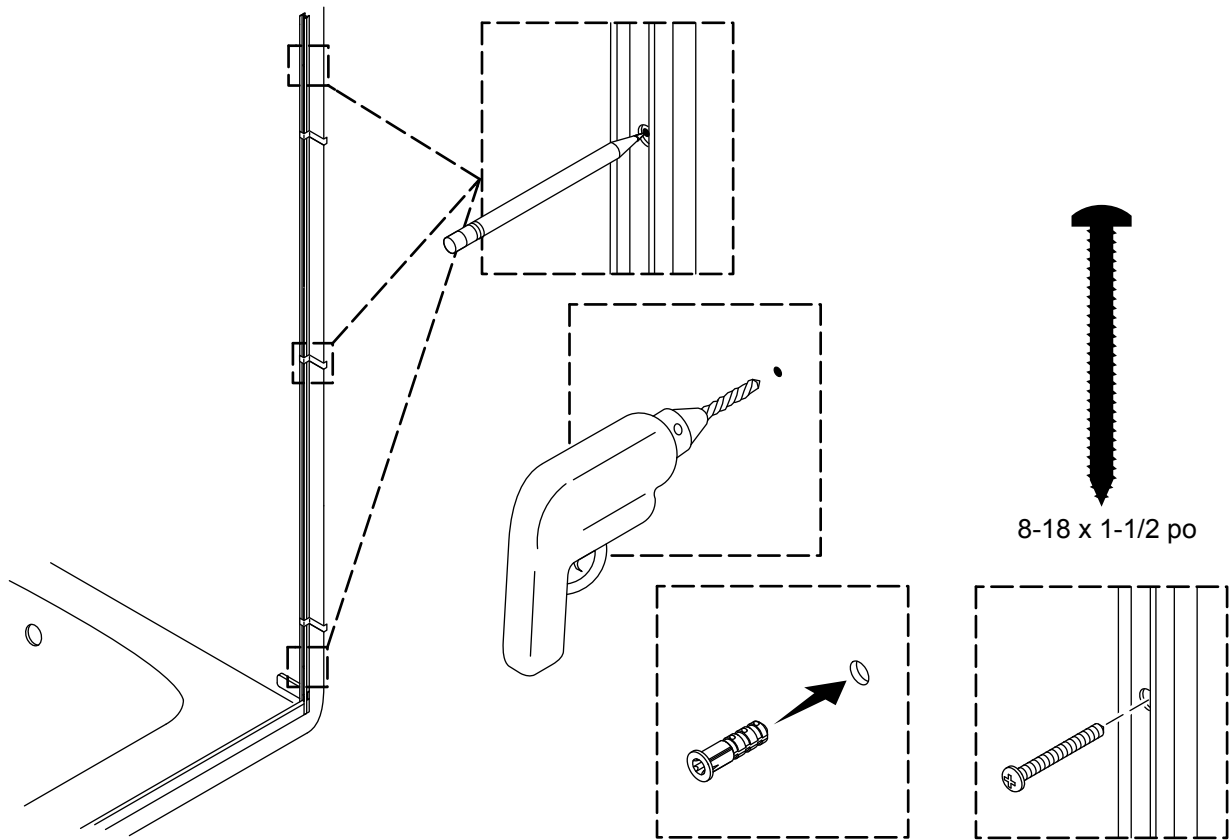
## 4. Préparer les montants de mur



**IMPORTANT!** Les montants de mur doivent être bien adaptés contre le seuil et le mur.

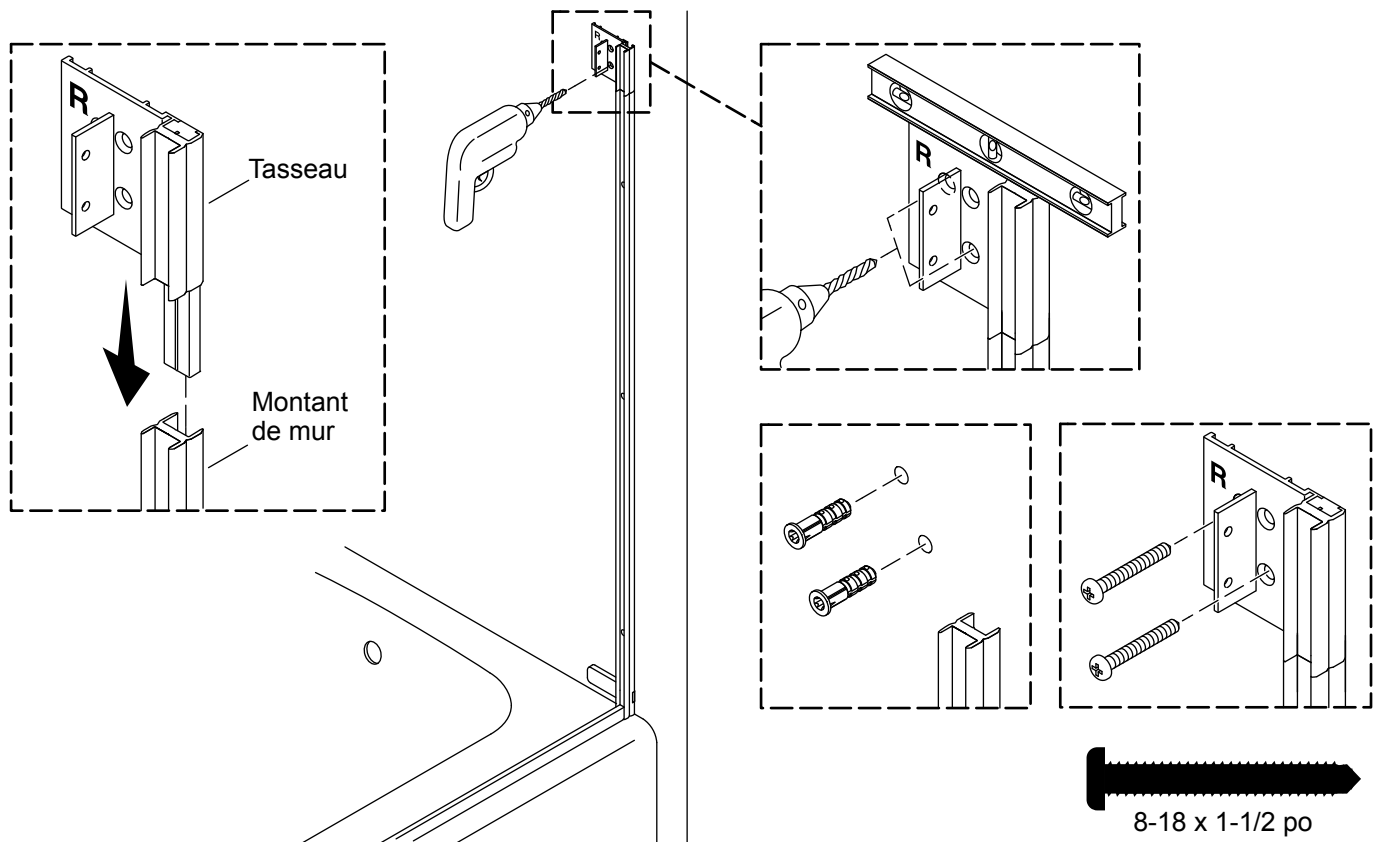
- Positionner le montant de mur sur le seuil, contre le mur, avec le butoir pointant vers la douche.
- Si nécessaire, former et limer le coin inférieur pour qu'il s'adapte contre le mur de la douche. Utiliser une pièce de monnaie pour faire correspondre et transférer le rayon de bec.
- Mettre le montant de mur d'aplomb.
- Fixer le montant de mur de manière sécurisée au ruban adhésif et marquer son emplacement.
- Répéter pour le deuxième montant de mur.
- S'assurer que le seuil est toujours parallèle avec l'avant de la base de la douche/du rebord de la baignoire.

## 5. Installer les montants de mur



- Marquer les trois emplacements des trous de la cheville d'ancrage sur chaque montant de mur avec un crayon.
- Retirer les deux montants de mur et les mettre de côté.
- Percer un trou de 1/4 po à chaque emplacement marqué. Utiliser une mèche à maçonnerie pour les murs à carrelage.
- Installer les chevilles d'ancrage mural fournies. Si nécessaire, taper doucement sur les chevilles d'ancrage jusqu'à ce qu'elles soient à ras du mur.
- Bien nettoyer la base de la douche et les murs.
- Repositionner le montant de mur, en l'alignant avec les trous des chevilles d'ancrage.
- Fixer le montant de mur avec trois vis n° 8-18 x 1-1/2 po.
- Répéter pour le deuxième montant de mur.

## 6. Installer les tasseaux



**AVIS :** Il y a un tasseau gauche (« L ») et un tasseau droit (« R »). Les positionner de manière à ce qu'ils se trouvent à l'intérieur de la zone de la douche.

- Glisser le tasseau dans le canal entre le montant de mur et le mur.

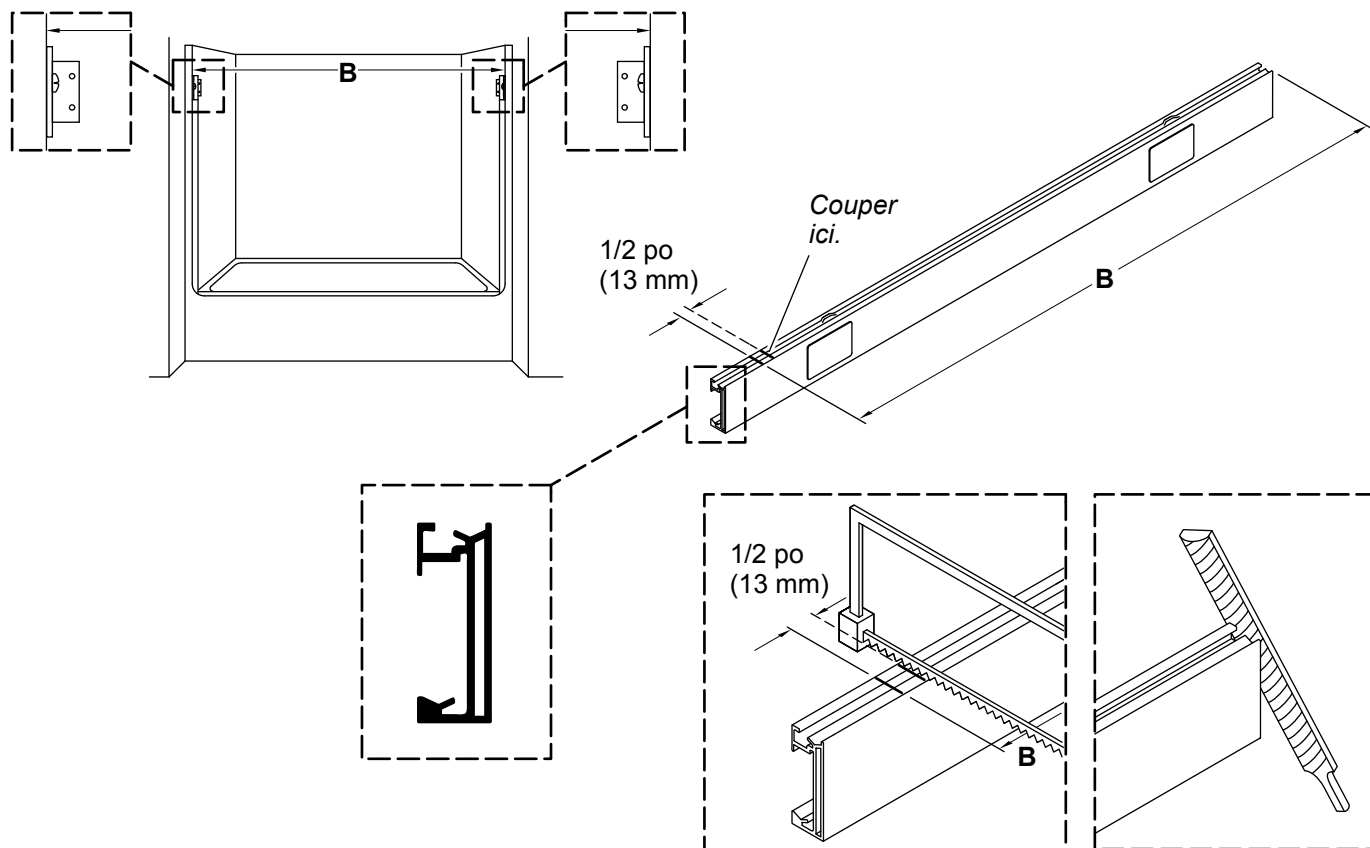
**AVIS :** Le tasseau doit être de niveau avec le mur et à plat contre celui-ci.

- S'assurer que le tasseau est assis à ras contre le dessus du montant de mur.
- Tenir le tasseau de niveau et fermement en place et l'utiliser comme guide pour percer deux trous de 1/4 po opposés à la diagonale dans le mur. Par exemple, dessus de gauche et dessous de droite.
- Retirer le tasseau et installer les chevilles d'ancrage fournies. Si nécessaire, taper doucement sur les chevilles d'ancrage pour les asseoir entièrement contre le mur.
- Répéter pour le deuxième tasseau.
- Bien nettoyer la base de la douche/le fond de la baignoire, le rebord et le mur.

**AVIS :** Le deuxième ensemble de trous peut être utilisé si le tasseau n'est pas de niveau. Répéter les étapes ci-dessus, si nécessaire.

- Fixer chaque tasseau au mur en utilisant deux vis n° 8-18 x 1-1/2 po.
- S'assurer que les tasseaux sont de niveau. Desserrer les vis et ajuster la position des tasseaux le cas échéant.

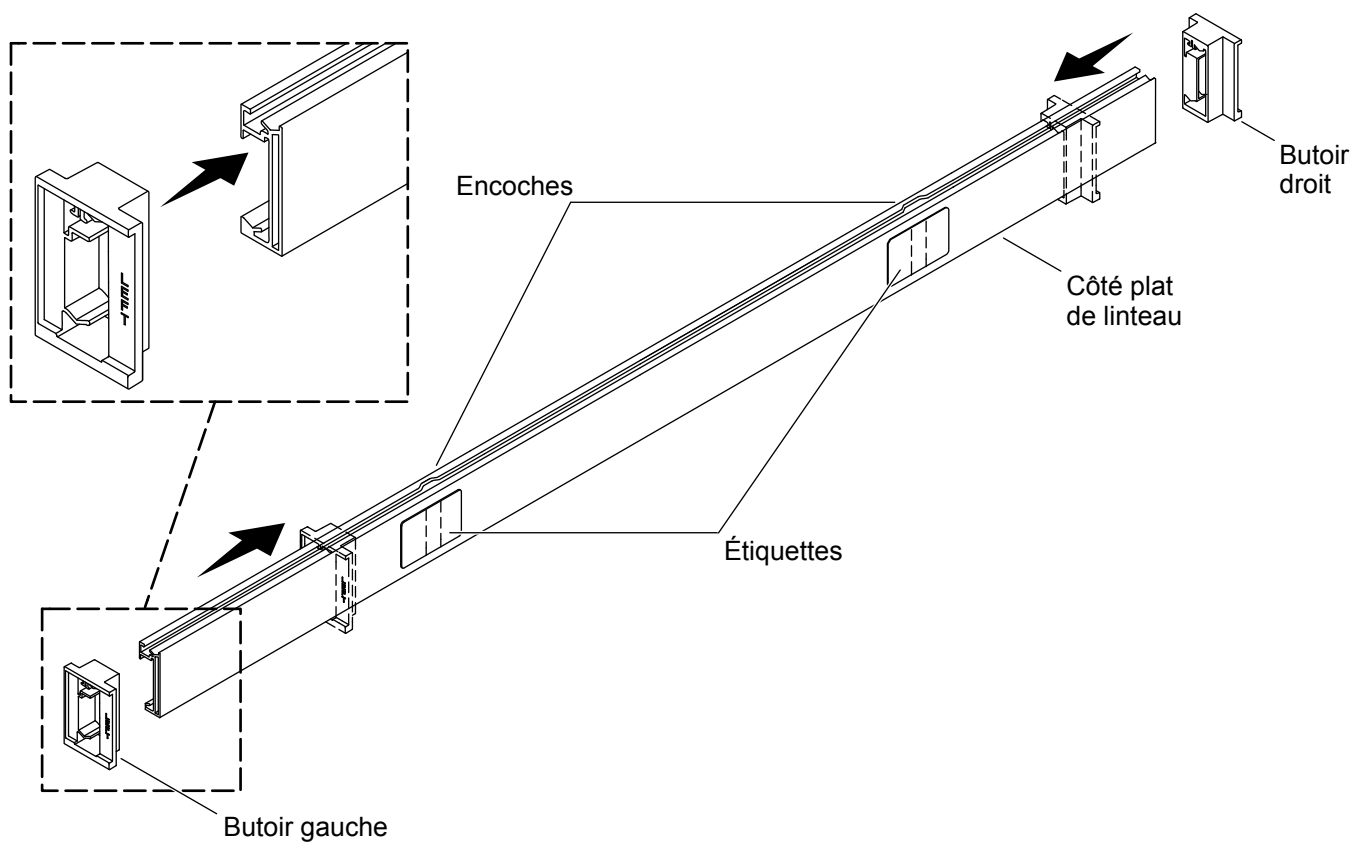
## 7. Mesurer et couper le linteau



**IMPORTANT!** Vérifier les mesures avant de couper. Ne pas couper le linteau trop court.

- Mesurer la distance « **B** » entre les murs de la douche et la marquer sur le linteau.
- Mesurer 1/2 po (13 mm) à partir de « **B** » et placer un deuxième repère sur le linteau comme sur l'illustration.
- Couper le linteau au niveau du deuxième repère.
- Limer tous les bords bruts et éliminer les débris des rails des galets.

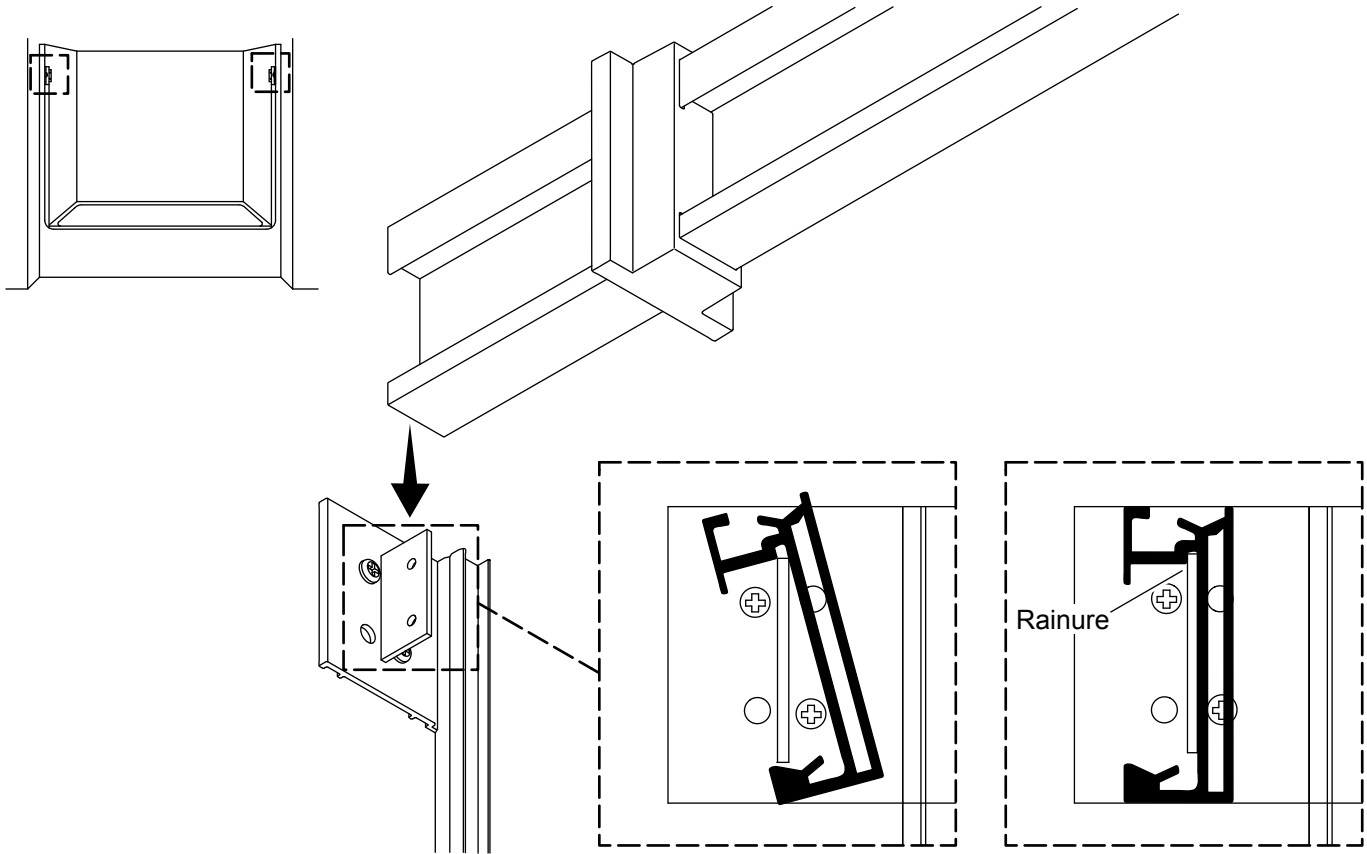
## 8. Installer les butoirs sur le linteau



**AVIS :** Les mots « LEFT » (gauche) et « RIGHT » (droite) sont moulés dans les butoirs.

- Repérer les étiquettes sur le linteau et observer comment ils s'alignent sur les encoches situées sur le dessus.
- Avec les étiquettes sur le linteau dirigées vers soi, identifier les extrémités gauche et droite du linteau.
- Glisser un butoir dans chaque extrémité du linteau comme sur l'illustration.

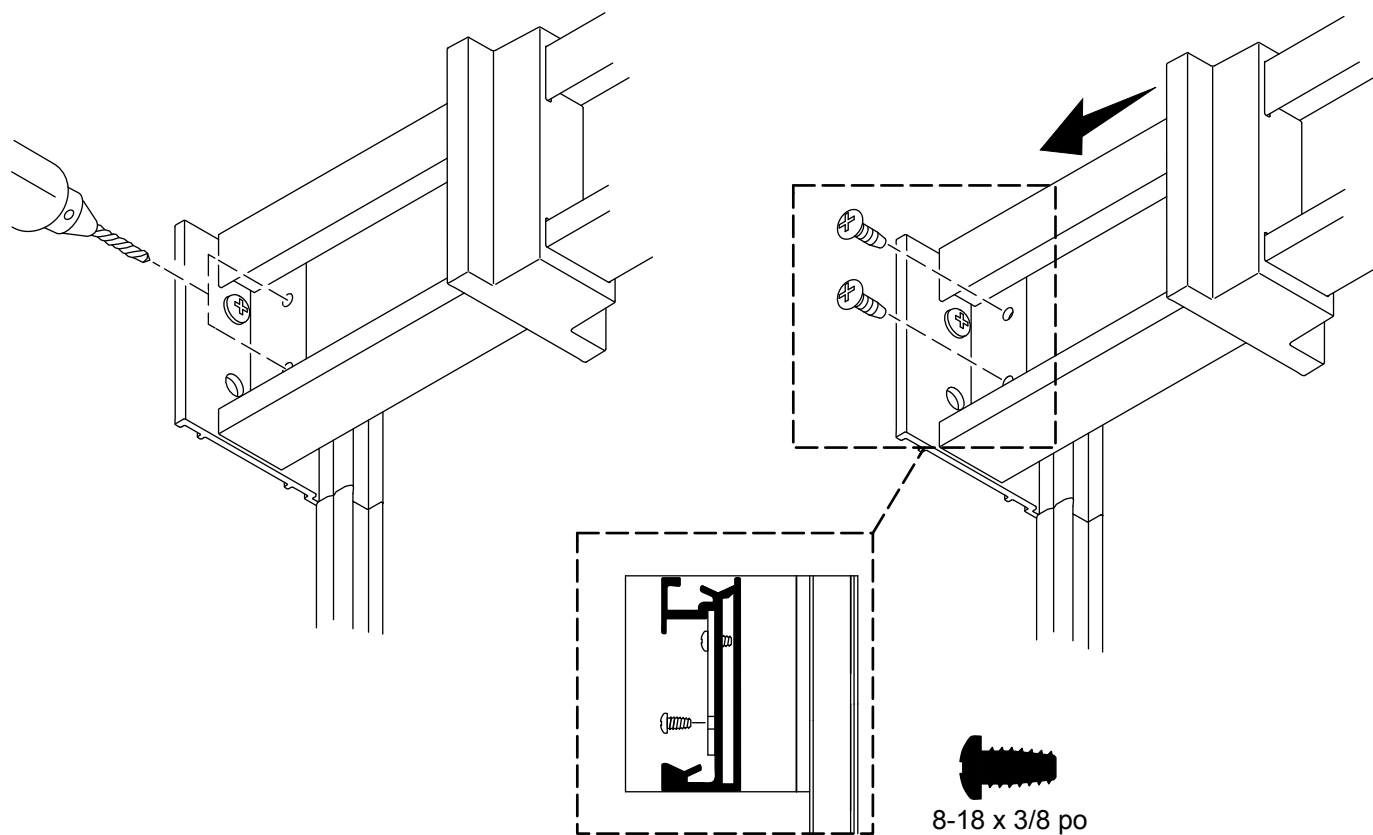
## 9. Positionner le linteau



**AVIS :** Les étiquettes se trouvant sur le linteau doivent être tournées vers l'extérieur de la douche.

- À partir de l'intérieur de la douche, élever le linteau au-dessus des tasseaux.
- Basculer le linteau et l'abaisser dans les tasseaux comme sur l'illustration.
- S'assurer que le haut du linteau est accroché correctement sur les supports.
- Tourner le linteau pour le mettre en place, à plat contre les supports muraux.

## 10. Fixer le linteau en place



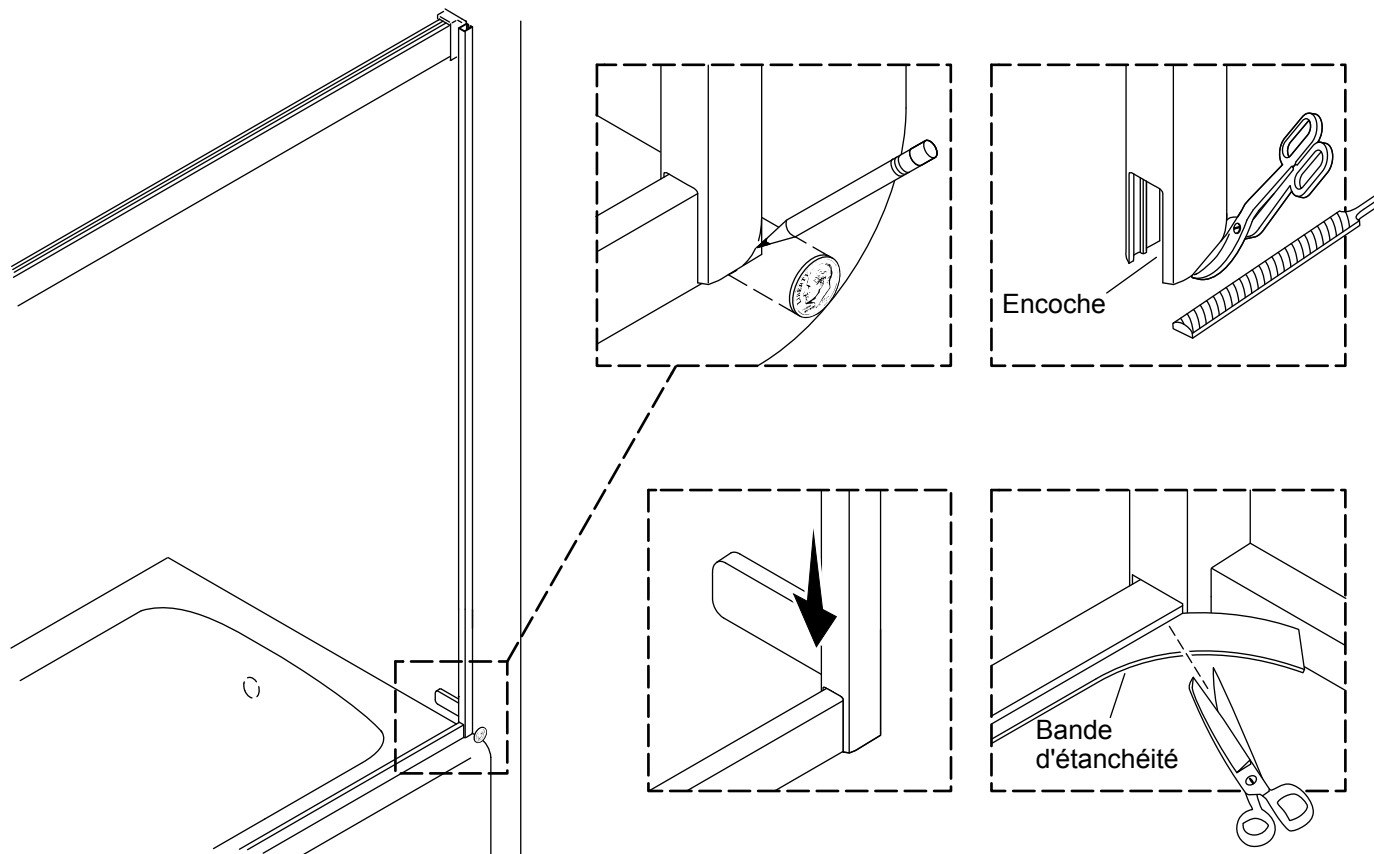
**⚠ ATTENTION : Risque de blessures.** Placer les mains loin des emplacements de perçage lors du perçage à travers le linteau.

**⚠ ATTENTION : Risque d'endommagement du produit.** Lors de la fixation du linteau sur chaque tasseau, ne pas percer à travers la deuxième paroi du linteau.

- À partir de l'intérieur de la douche, percer deux trous de 9/64 po à travers le linteau en utilisant les tasseaux comme modèle.
- À partir de l'intérieur de la douche, fixer le linteau sur chaque tasseau avec deux vis auto-perceuses n° 8-18 x 3/8 po.
- Nettoyer le linteau avec précaution et sous tous les angles. S'assurer qu'aucun débris n'est présent dans les rails des galets.
- Glisser les butoirs à ras contre chaque mur.

## 11. Installer les couvertures des montants de mur

F  
R



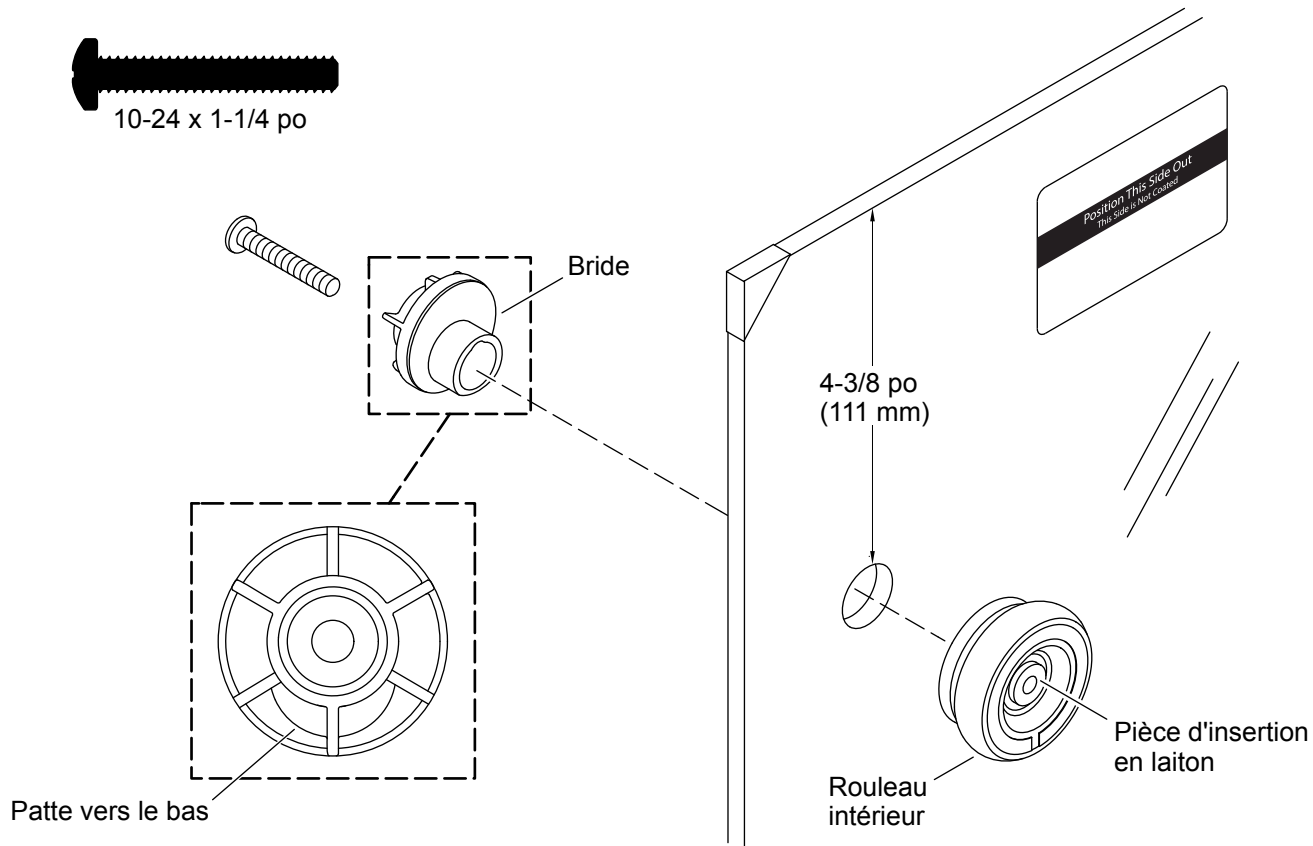
- Si nécessaire, former et limer le coin inférieur pour qu'il s'adapte contre le mur de la douche.
- Répéter pour la deuxième couverture de montant de mur.
- Positionner l'encoche dans la couverture du montant de mur par-dessus le seuil.
- Enfoncer la couverture du montant de mur sur le montant de mur.

**AVIS :** Les couvertures du montant du mur ne sont pas à ras du mur.

- Répéter pour la deuxième couverture de montant de mur.
- Ébarber le joint d'étanchéité du seuil à ras des couvertures des montants de mur.



## 12. Assembler le panneau intérieur

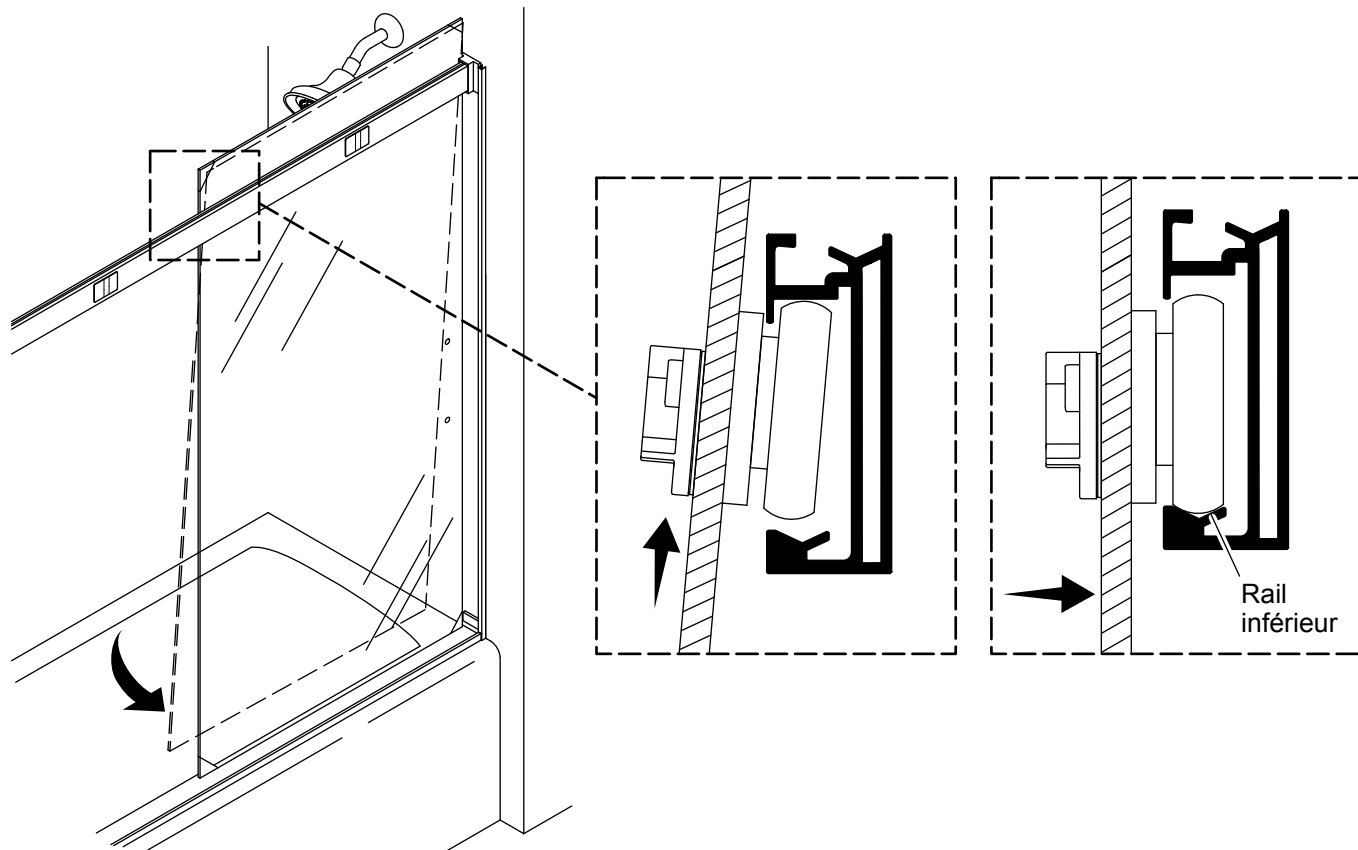


**AVIS :** Les trous de fixation des galets du panneau intérieur se trouvent à 4-3/8 po (111 mm) au-dessous du dessus du panneau.

**AVIS :** Les galets intérieurs comprennent une pièce insérée en laiton.

- Positionner chaque galet sur le même côté du panneau avec l'étiquette.
- Installer chaque galet intérieur avec la patte tournée vers le bas. Cela positionne la porte à son réglage le plus bas.
- Fixer chaque galet avec une vis n° 10-24 x 1-1/4 po.
- À l'aide d'un tournevis manuel uniquement, serrer solidement les vis.

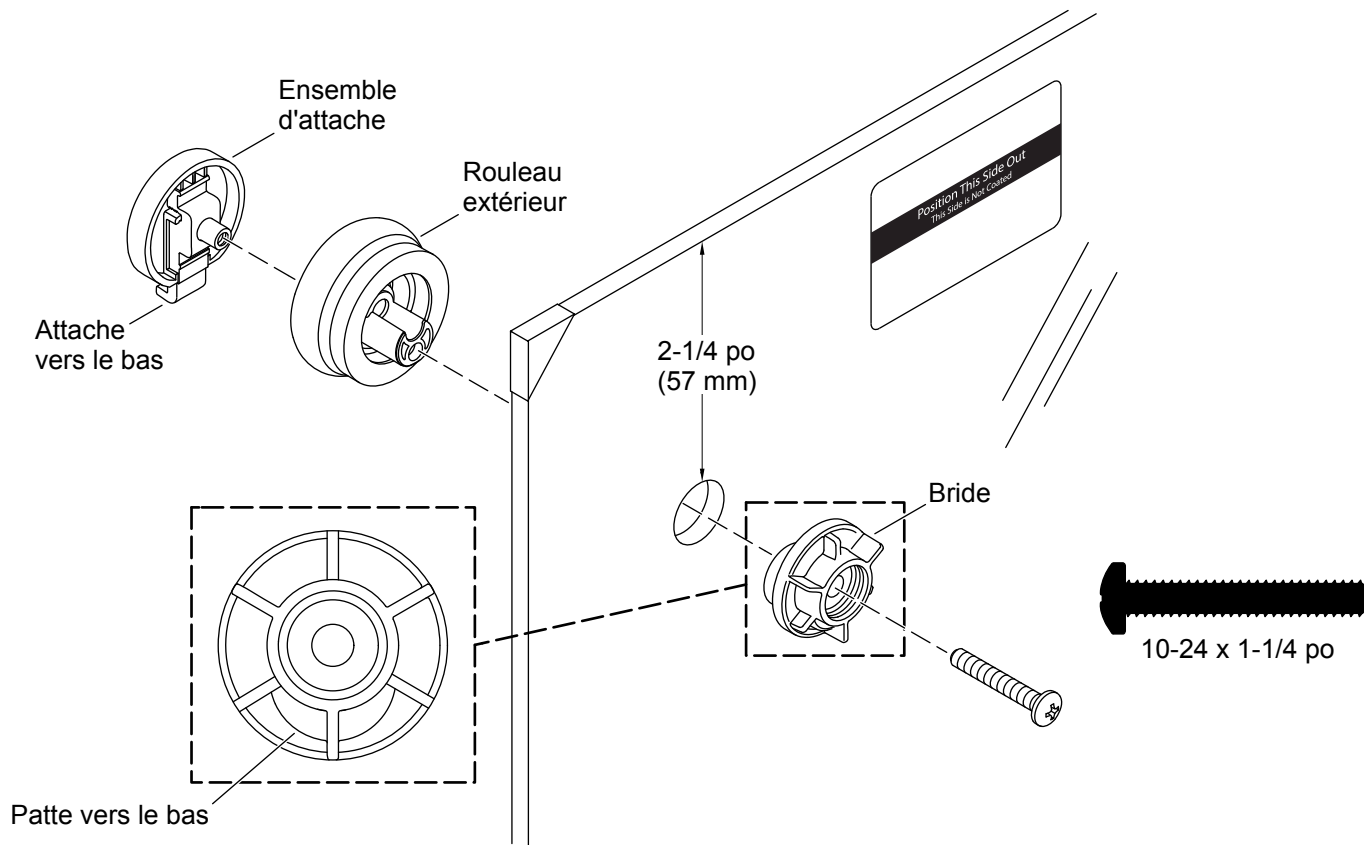
## 13. Installer le panneau intérieur



**REMARQUE :** Les galets et l'étiquette sont tournés vers l'extérieur de la douche.

- Avec de l'aide, déplacer entièrement le panneau intérieur dans la zone de la douche.
- Avec de l'aide à partir de l'intérieur de la douche, incliner le panneau pour positionner les dessus des galets à l'intérieur du linteau. Faire reposer les galets sur le rail inférieur du linteau et mettre le panneau en place.
- S'assurer que le panneau peut avoir un mouvement de va-et-vient sans heurts. Si nécessaire, ajuster les galets selon les instructions de la section « Ajuster les galets ».

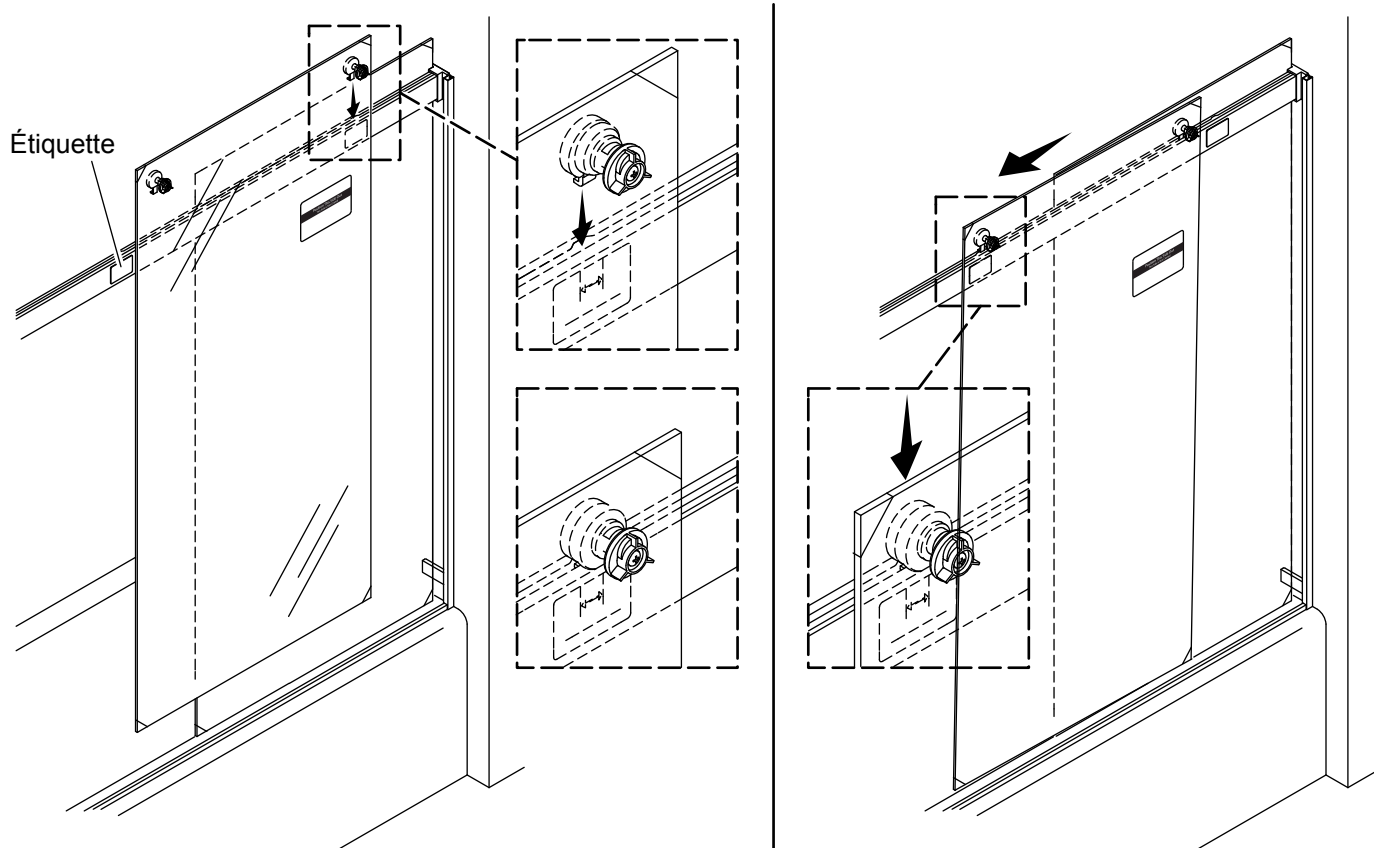
## 14. Assembler le panneau extérieur



**AVIS :** Les trous de fixation des galets du panneau extérieur se trouvent à 2-1/4 po (57 mm) au-dessous du dessus du panneau.

- Positionner le galet sur le côté opposé du panneau avec l'étiquette.
- Installer les galets extérieurs avec la patte sur la bride tournée vers le bas. Cela positionne la porte à son réglage le plus bas.
- Fixer chaque galet avec une vis n° 10-24 x 1-1/4 po.
- Tenir l'attache vers le bas pendant que la vis est serrée.
- À l'aide d'un tournevis manuel uniquement, serrer solidement les vis, jusqu'à ce que l'attache ne puisse plus être tournée à la main.

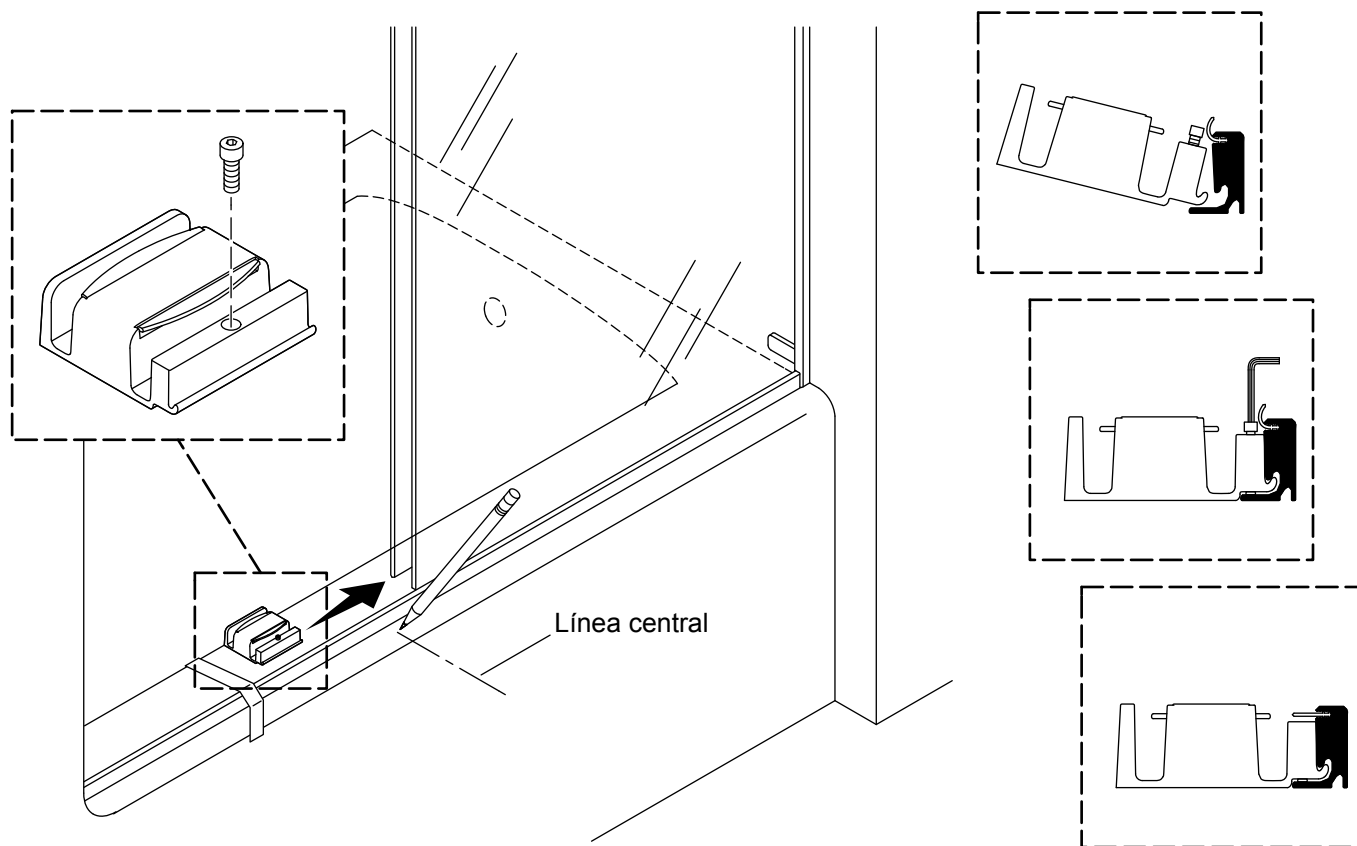
## 15. Installer le panneau extérieur



**AVIS :** Repérer les encoches sur le linteau, qui sont alignées avec les étiquettes « Zone d'installation de panneau ».

- Avec de l'aide, à partir de l'extérieur de la douche, lever le panneau, aligner une attache de galet sur une encoche et poser le galet sur le rail de galets.
- Lever le côté opposé du panneau de manière à ce que le deuxième galet se trouve au-dessus du linteau. Glisser le panneau pour aligner l'attache du deuxième galet sur la deuxième encoche Poser le galet sur le rail de galets.

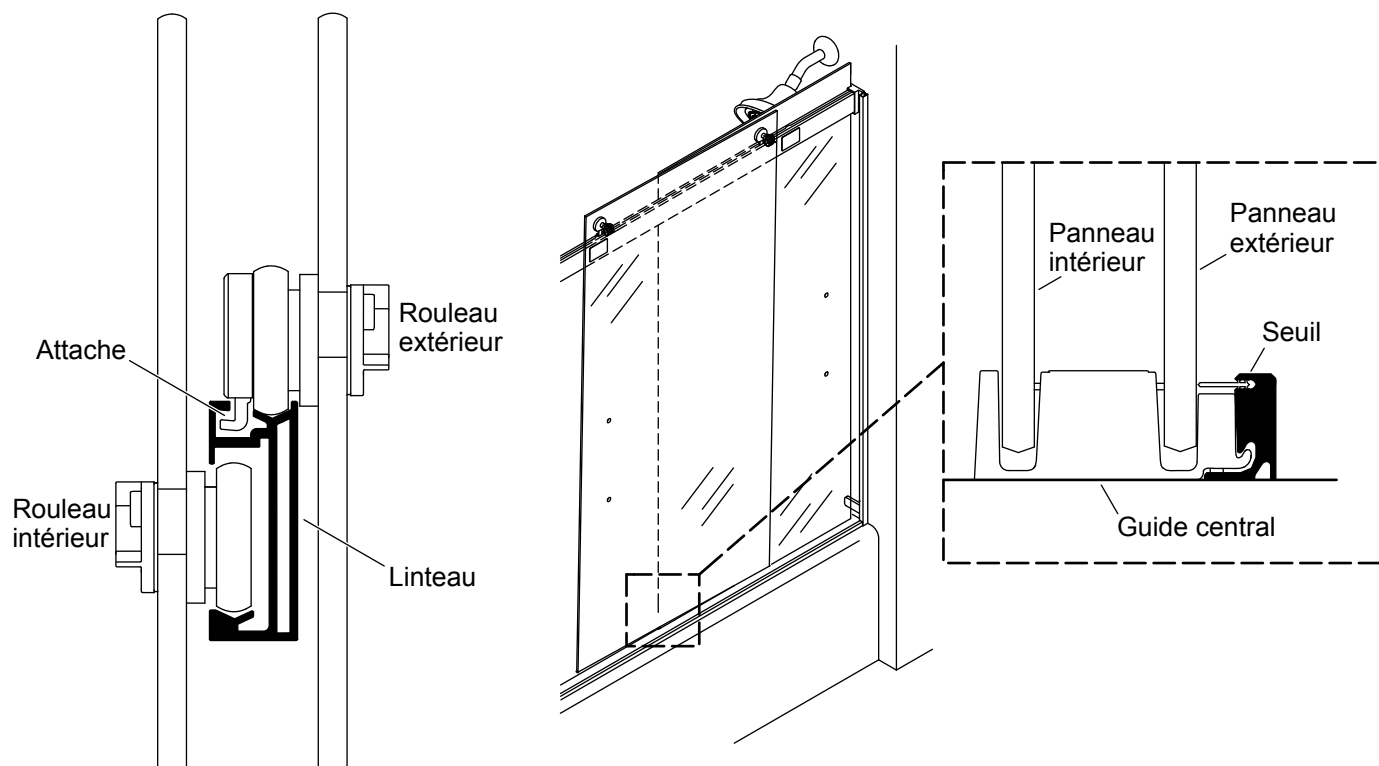
## 16. Installer le guide central



**IMPORTANT!** Le guide central doit être entièrement assis à l'arrière de la lèvre du seuil, comme sur l'illustration.

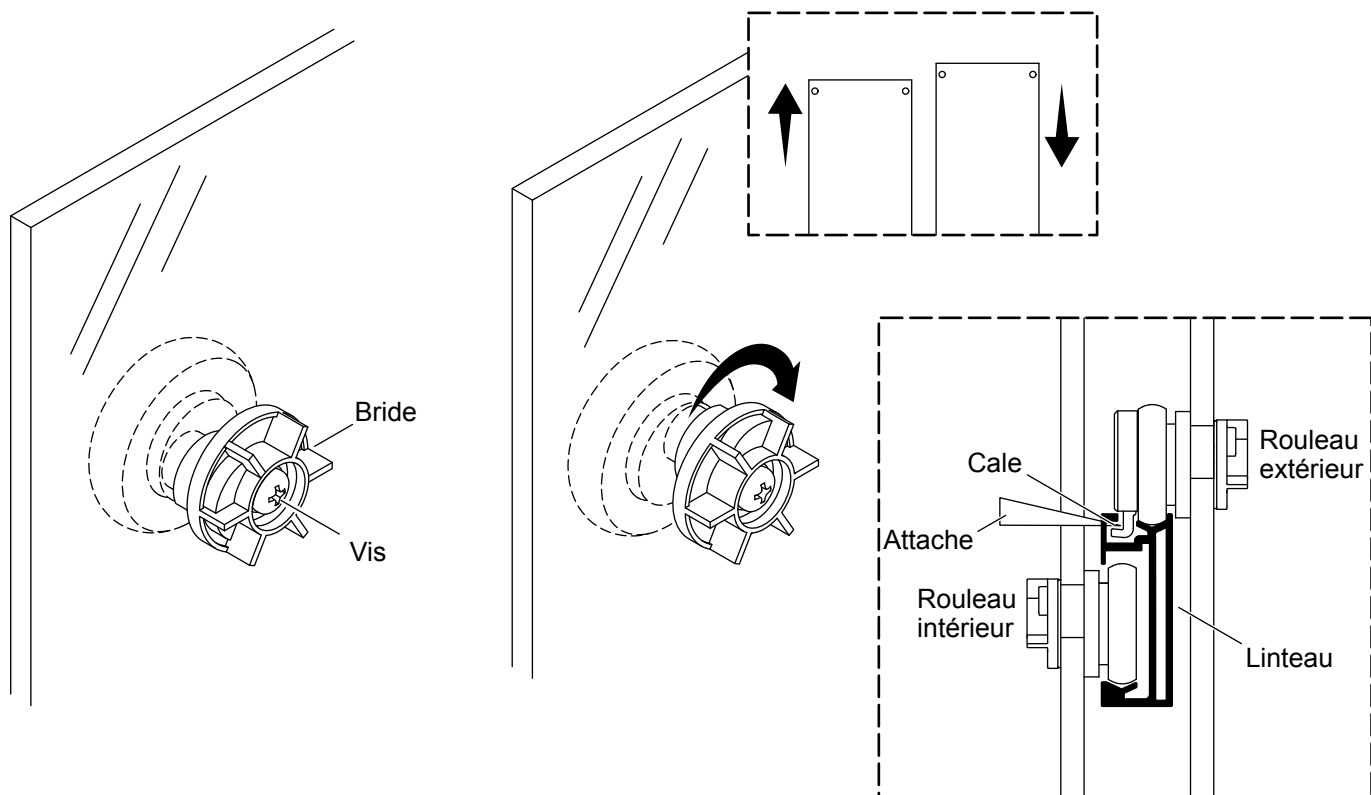
- Glisser les deux panneaux de porte sur un côté de la douche.
- Enfiler la vis partiellement dans le trou du guide central. La vis ne doit pas faire saillie à partir du fond du guide central.
- Mesurer et marquer la ligne centrale du seuil sur l'extérieur de la base de la douche/du rebord de la baignoire.
- Tourner le guide central pour le mettre en place dans la rainure du seuil comme sur l'illustration.
- Déplacer le guide central le long du seuil jusqu'à ce que la ligne soit alignée sur le repère de la ligne centrale.
- Glisser les panneaux de porte dans les canaux du guide central.
- Lever le joint d'étanchéité du seuil pour accéder à la vis.
- Serrer la vis à la main avec une clé hexagonale de 5/32 po, puis serrer d'un demi-tour supplémentaire.

## 17. Vérifier que l'installation est adéquate



- Vérifier que tous les galets sont engagés dans les pistes du linteau.
- Les dessus des galets intérieurs doivent se trouver à l'intérieur du linteau.
- Les attaches se trouvant sur les galets extérieurs doivent être engagées à l'intérieur du bord supérieur du linteau. Elles ne doivent pas être visibles.
- Les fonds des panneaux de porte doivent être engagés dans les canaux du guide central.
- Le guide central doit être attaché solidement sur le seuil.

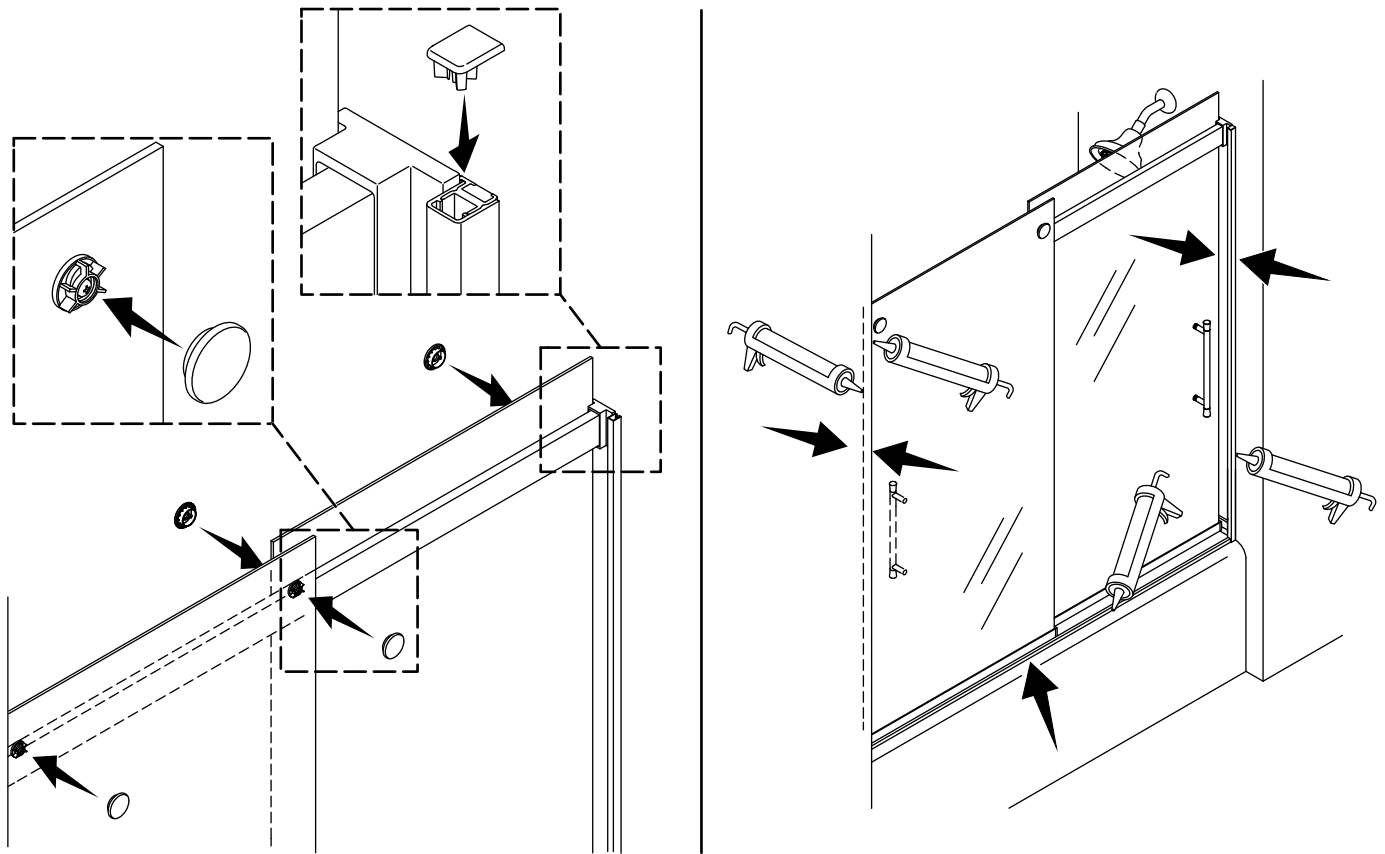
## 18. Ajuster les galets



**REMARQUE :** Les galets pourraient devoir être ajustés si un panneau ne se déplace pas, si l'on observe un bruit de raclement lorsqu'il est déplacé, ou si un butoir supérieur ou inférieur n'entre pas en contact lors de la fermeture.

- Ajuster l'alignement de chaque extrémité du panneau en desserrant les vis et en tournant la bride d'ajustement.
- Lors de l'ajustement du panneau extérieur, tenir la couverture de l'attache tout droit ou insérer une cale en bois sous la couverture tout en serrant solidement les vis de manière à ce que l'attache ne racle pas dans sa piste.
- Répéter jusqu'à ce que la porte fonctionne sans heurts et qu'elle soit alignée uniformément sur les murs de la douche.
- Vérifier que les attaches sont encore orientées correctement (voir la section « Vérifier l'installation correcte »). Serrer solidement les vis.

## 19. Terminer l'installation



- Encliqueter un capuchon en place sur chacun des quatre galets.
- Enfoncez un capuchon dans le dessus de chaque montant de mur.
- Installer le porte-serviettes ou la poignée en utilisant les instructions séparées fournies.
- Appliquez du mastic à la silicone à 100% le long des montants de mur à l'intérieur et à l'extérieur de la douche/baignoire.
- Appliquez du mastic d'étanchéité à la silicone à 100% sur le bord extérieur du seuil.



Ce guide de dépannage est seulement destiné à fournir une aide d'ordre général. Pour des problèmes ou questions concernant l'entretien et l'installation, composer le 1-800-4KOHLER.

Symptômes	Cause probable	Action recommandée
1. La porte fait du bruit lorsqu'elle est ouverte ou fermée.	<p><b>A.</b> Une attache de galet extérieur n'est pas dirigée tout droit vers le bas et racle à l'intérieur du linteau.</p> <p><b>B.</b> Un galet extérieur n'est pas bien serré, ce qui fait que l'attache racle à l'intérieur du linteau.</p> <p><b>C.</b> Les panneaux de porte sont placés trop bas, ce qui fait qu'ils raclent sur la base du guide central ou sur la base de la douche/le rebord de la baignoire.</p> <p><b>D.</b> Les galets sont usés et bruyants.</p>	<p><b>A.</b> Desserrer la vis du galet extérieur, tourner l'attache de manière à ce qu'elle soit dirigée tout droit vers le bas et qu'elle soit engagée dans le linteau, et serrer solidement la vis du galet</p> <p><b>B.</b> Serrer les vis des galets extérieurs en assurant que les attaches soient dirigées tout droit vers le bas.</p> <p><b>C.</b> Ajuster les galets pour élever les panneaux de porte de manière à ce qu'ils ne raclent plus. Voir la section « Ajuster les galets ».</p> <p><b>D.</b> Remplacer les galets.</p>
2. Il est difficile de déplacer la porte ou elle ne s'ouvre pas.	<p><b>A.</b> Une attache de galet n'est pas pointée tout droit vers le bas et racle à l'intérieur du linteau.</p> <p><b>B.</b> Les panneaux de porte sont placés trop bas, ce qui fait qu'ils raclent sur la base du guide central ou sur la base de la douche/le rebord de la baignoire.</p> <p><b>C.</b> Le joint d'étanchéité du seuil n'est pas entièrement assis, ce qui fait frotter le panneau de porte.</p>	<p><b>A.</b> Desserrer la vis du galet, tourner l'attache de manière à ce qu'elle soit dirigée tout droit vers le bas et qu'elle soit engagée dans le linteau, et serrer la vis du galet en toute sécurité.</p> <p><b>B.</b> Ajuster les galets pour élever les panneaux de porte de manière à ce qu'ils ne raclent plus.</p> <p><b>C.</b> Enfoncer le joint d'étanchéité entièrement dans le seuil.</p>
3. Les panneaux de la porte peuvent basculer librement vers l'intérieur ou l'extérieur de la douche.	<p><b>A.</b> Le guide central n'est pas installé.</p> <p><b>B.</b> Le guide central n'est pas installé dans l'emplacement correct.</p> <p><b>C.</b> Les panneaux de porte ne sont pas installés correctement sur le guide central.</p> <p><b>D.</b> La taille de la porte est incorrecte pour l'ouverture de la douche.</p>	<p><b>A.</b> Installer le guide central selon les instructions.</p> <p><b>B.</b> Installer le guide central sur le centre de la base de la douche/le rebord de la baignoire.</p> <p><b>C.</b> Les panneaux de porte doivent glisser dans les canaux du guide central.</p> <p><b>D.</b> Obtenir le produit adéquat pour l'ouverture de la douche.</p>

Symptômes	Cause probable	Action recommandée
<p>4. Le guide central est desserré.</p>	<p><b>A.</b> La vis du guide central n'est pas entièrement serrée.</p> <p><b>B.</b> Le guide central n'est pas installé correctement sur la base de la douche/le rebord de la baignoire</p>	<p><b>A.</b> À l'aide de la clé hexagonale fournie, serrer la vis jusqu'à ce que le guide central ne puisse plus être déplacé à la main.</p> <p><b>B.</b> Vérifier que le crochet du guide central est engagé dans le seuil.</p>
<p>5. Fuites d'eau.</p>	<p><b>A.</b> Fuites d'eau sous le seuil.</p> <p><b>B.</b> Fuites d'eau sous un panneau de porte.</p> <p><b>C.</b> Fuites d'eau sous un panneau de porte.</p> <p><b>D.</b> Fuites d'eau entre les panneaux de porte.</p> <p><b>E.</b> Fuites d'eau entre un panneau de porte et un montant de mur.</p> <p><b>F.</b> Fuites d'eau entre un panneau de porte et un montant de mur.</p> <p><b>G.</b> Fuites d'eau à l'arrière du montant de mur.</p>	<p><b>A.</b> Appliquer du mastic d'étanchéité à la silicone à 100% sur le bord extérieur du seuil. Voir les instructions du fabricant du mastic d'étanchéité à la silicone avant d'utiliser la douche.</p> <p><b>B.</b> Ajuster les galets de manière à ce que les parties inférieures des panneaux de porte soient plus près de la base de la douche/du rebord de la baignoire. Voir la section « Ajuster les galets ».</p> <p><b>C.</b> Retirer les couvertures de montants de mur et s'assurer que les tasseaux sont installés correctement. Si un écartement est présent entre le montant de mur et le tasseau, les panneaux de porte pourraient avoir été installés trop haut.</p> <p><b>D.</b> S'assurer que le panneau intérieur soit le panneau le plus proche de la pomme de douche lorsqu'on prend une douche.</p> <p><b>E.</b> Ajuster les galets de manière à ce que les butoirs entrent en contact uniformément avec le mur et le panneau de porte. Voir la section « Ajuster les galets ».</p> <p><b>F.</b> Commander et installer la trousse d'étanchéité optionnelle.</p> <p><b>G.</b> Appliquer du mastic d'étanchéité à la silicone à 100% sur le rebord extérieur et le rebord intérieur du montant de mur. Voir les instructions du fabricant du mastic d'étanchéité à la silicone avant d'utiliser la douche.</p>
<p>6. La poignée n'est pas installée en toute sécurité.</p>	<p><b>A.</b> Le panneau de porte n'est pas nettoyé de manière adéquate avant l'installation de la poignée ou la poignée n'est pas enfoncée fermement pendant l'installation.</p>	<p><b>A.</b> Nettoyer le panneau de porte et installer une nouvelle poignée.</p>

# Instrucciones de instalación

## Puertas corredizas de bañera y ducha

### Gracias por elegir productos KOHLER

---

¿Necesita ayuda? Comuníquese con nuestro Centro de Atención al Cliente.

EE.UU./Canadá: 1-800-4KOHLER (1-800-456-4537)

México: 001-800-456-4537

Para consultar información sobre piezas de repuesto, visite [kohler.com/serviceparts](http://kohler.com/serviceparts).

Para consultar información de cuidado y limpieza, visite [kohler.com/clean](http://kohler.com/clean).

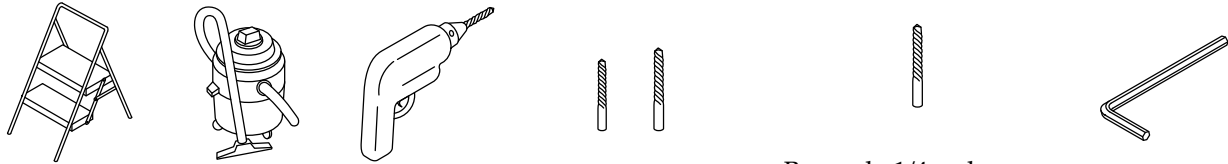
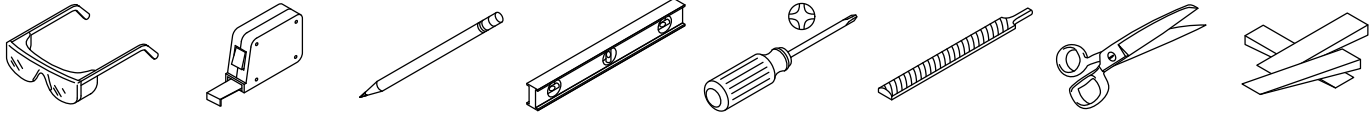
### Garantía

---

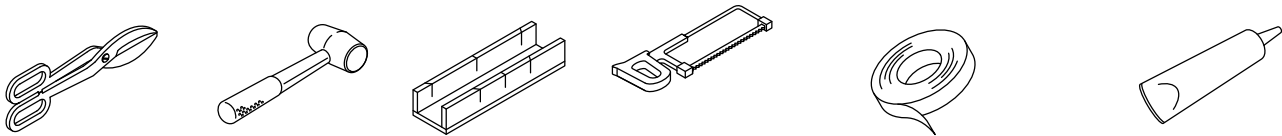
A este producto lo cubre la **Garantía limitada de un año de KOHLER®**, que puede consultarse en [kohler.com/warranty](http://kohler.com/warranty). Solicite una copia en papel de los términos de la garantía al Centro de Atención al Cliente.

## Herramientas y materiales

ES



Broca de 1/4 pulg. para  
mampostería para azulejo 5/32 pulg.  
9/64 pulg., 1/4 pulg.



Tijeras para chapa Mazo de goma Caja de ingletes Cuchilla de 32 dientes/pulg. Cinta de enmascarar Sellador 100% de silicona

## Antes de comenzar

- ⚠ **AVISO: Riesgo de lesiones graves.** Daños anteriores a la instalación pueden ocasionar que el vidrio se quiebre en pedazos. Antes de hacer la instalación, revise el vidrio y todas las piezas para ver si presentan daños.
- ⚠ **AVISO: Riesgo de lesiones graves.** Si la instalación se hace de manera incorrecta, el vidrio podría quebrarse en pedazos. Siga todas las instrucciones de instalación.
- ⚠ **AVISO: Riesgo de lesiones graves.** No corte el vidrio templado. El vidrio templado se quiebra en pedazos al tratar de cortarlo.
- ⚠ **AVISO: Riesgo de lesiones graves.** El panel de la puerta y los paneles laterales de la ducha podrían quebrarse en pedazos. Revise con regularidad el vidrio y todas las piezas para ver si presentan daños, si algo falta o si hay piezas sueltas.
- ⚠ **AVISO: Riesgo de lesiones graves.** Siempre use anteojos de seguridad al cortar y al taladrar.
- ⚠ **PRECAUCIÓN: Riesgo de lesiones personales.** El vidrio templado no debe hacer contacto con superficies duras, pues podría quebrarse en pedazos. No toque el filo de un panel de vidrio templado con herramientas ni con ningún otro objeto duro.

¡**IMPORTANTE!** Deje este manual para el usuario final. Lea estas instrucciones antes de instalar o de utilizar este producto.

**¡IMPORTANTE!** Esta puerta está diseñada para paredes que estén a menos de 3/8" (10 mm) de estar a plomo. Verifique que el área a la que se vaya a fijar la puerta esté a menos de 3/8" (10 mm) de estar a plomo. Es posible que la puerta no funcione correctamente si las paredes están fuera de plomo más de 3/8" (10 mm).

Cubra el desagüe con cinta de enmascarar para evitar perder piezas pequeñas.

Identifique todas las piezas antes de la instalación.

Identifique los paneles interior y exterior al comparar la distancia entre el borde superior del vidrio y el orificio de montaje de las rueditas. Las rueditas en el panel interior se instalan más abajo que en el panel exterior.

Siga las instrucciones de aplicación y de tiempo de curado del fabricante del sellador de silicona.

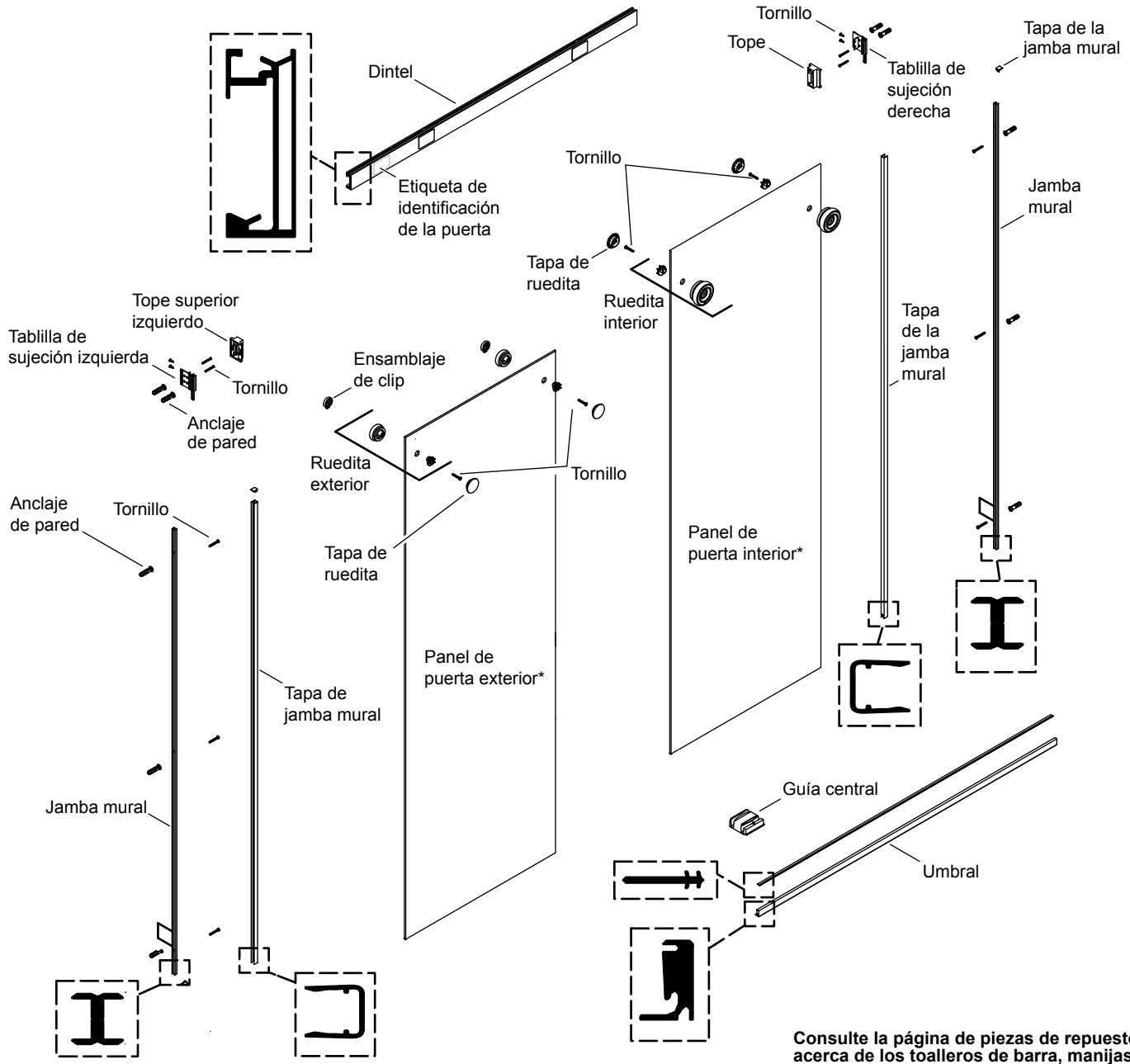
Se requieren dos personas para hacer esta instalación.

Vea esta instalación en línea; visite [kohler.com](http://kohler.com) y busque el número de su producto.

# Identificación de piezas

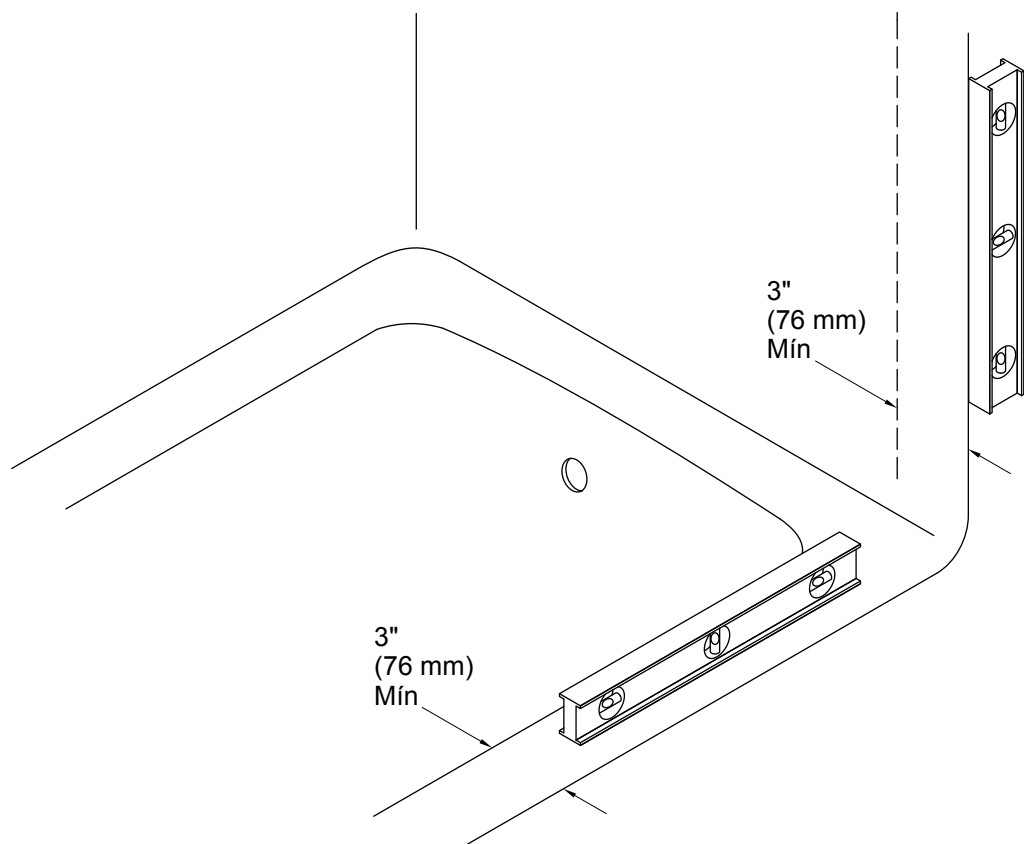
ES

Paquete al vacío	LADO DERECHO	LADO DERECHO			
	LADO IZQUIERDO	LADO IZQUIERDO			



Consulte la página de piezas de repuesto acerca de los toalleros de barra, manijas, y todas las piezas de repuesto.

## 1. Confirme la compatibilidad de los rebordes y las paredes



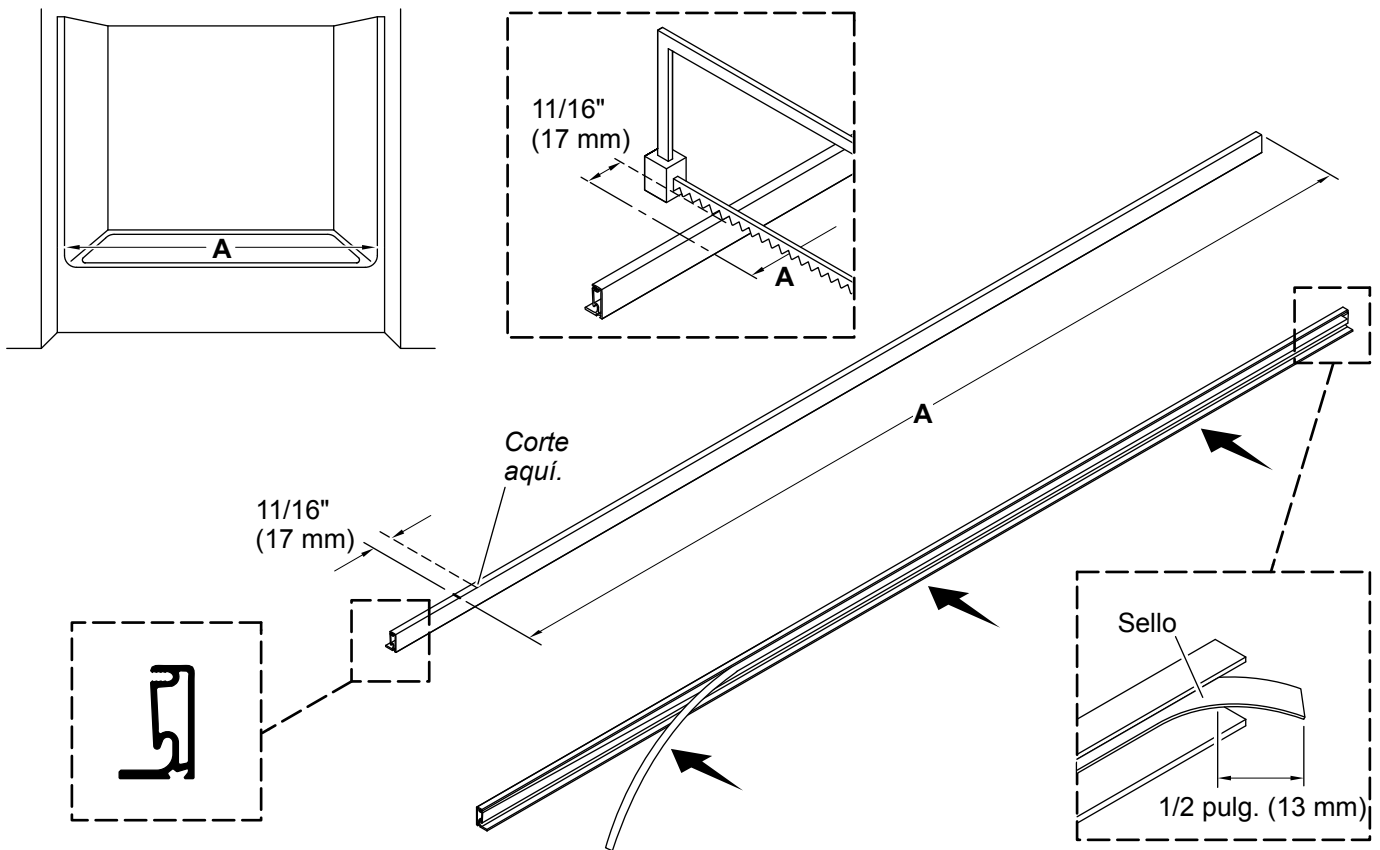
**¡IMPORTANTE!** Para asegurar la alineación y el funcionamiento correctos, confirme que la base de la ducha o el reborde de bañera y las paredes cumplan los siguientes requisitos. No instale la puerta si no se cumplen estos requisitos.

Debe haber una superficie plana de por lo menos 3" (76 mm) en la base de la ducha o en el reborde de la bañera y en las paredes.

Las paredes deben quedar a menos de 3/8" (10 mm) de estar a plomo.

La base de la ducha o el reborde de bañera deben estar nivelados entre las paredes.

## 2. Mida y corte el umbral



**⚠ AVISO: Riesgo de lesiones graves.** Siempre use anteojos de seguridad al cortar y al taladrar.

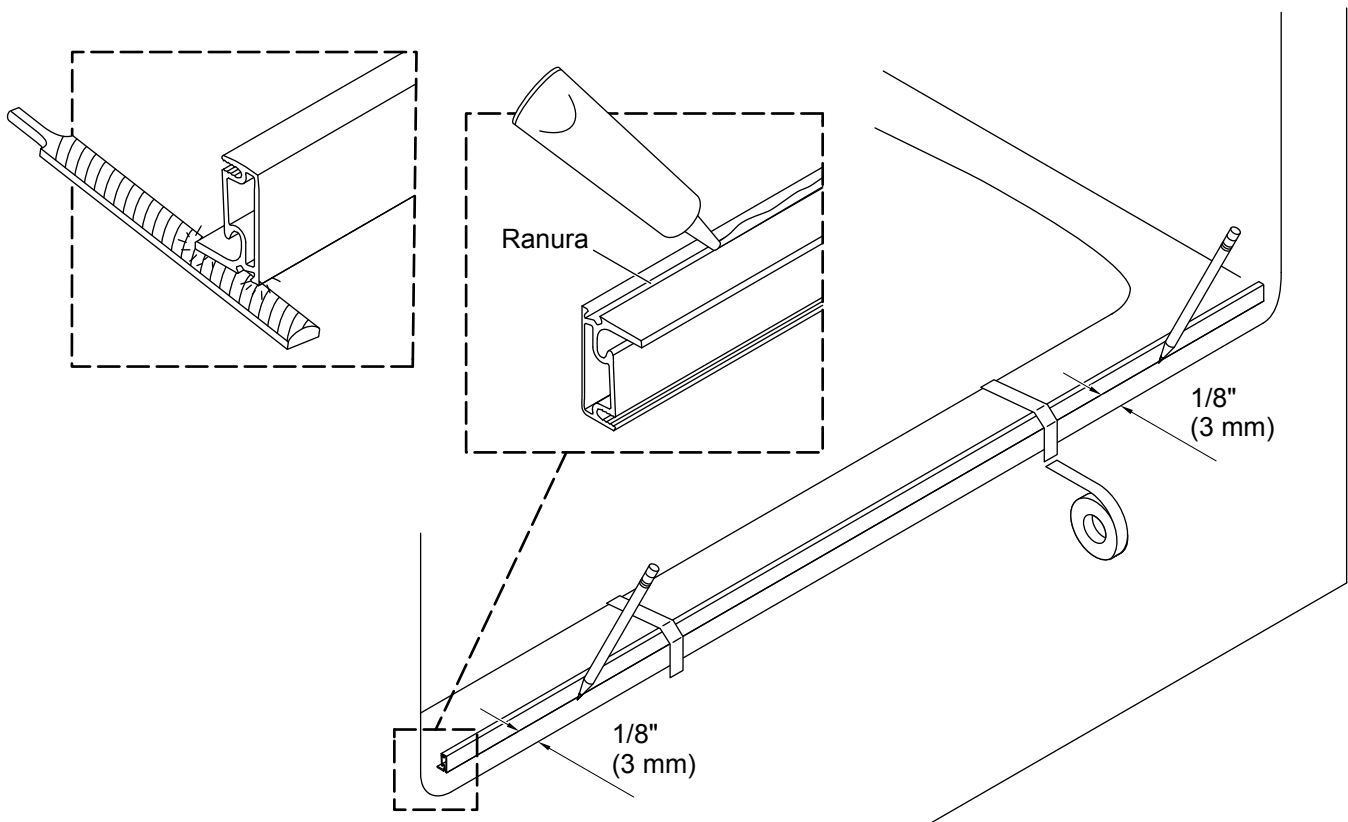
- Proteja la superficie de la ducha con una lona.
- Mida la distancia "A" entre las paredes de la ducha, y márquela en el umbral.
- Mida 11/16" (17 mm) a partir de "A" y haga una segunda marca en el umbral, como se indica.
- Corte el umbral en la segunda marca y lime los bordes ásperos.

**¡IMPORTANTE!** El sello debe instalarse con por lo menos 1/2" (13 mm) sobresaliendo de cada extremo del umbral. El sello se cortará a que ajuste, después de que se haya instalado el umbral.

- Oprima el sello en el canal en el umbral, dejando que sobresalga aproximadamente 1/2" (13 mm) del extremo del umbral.



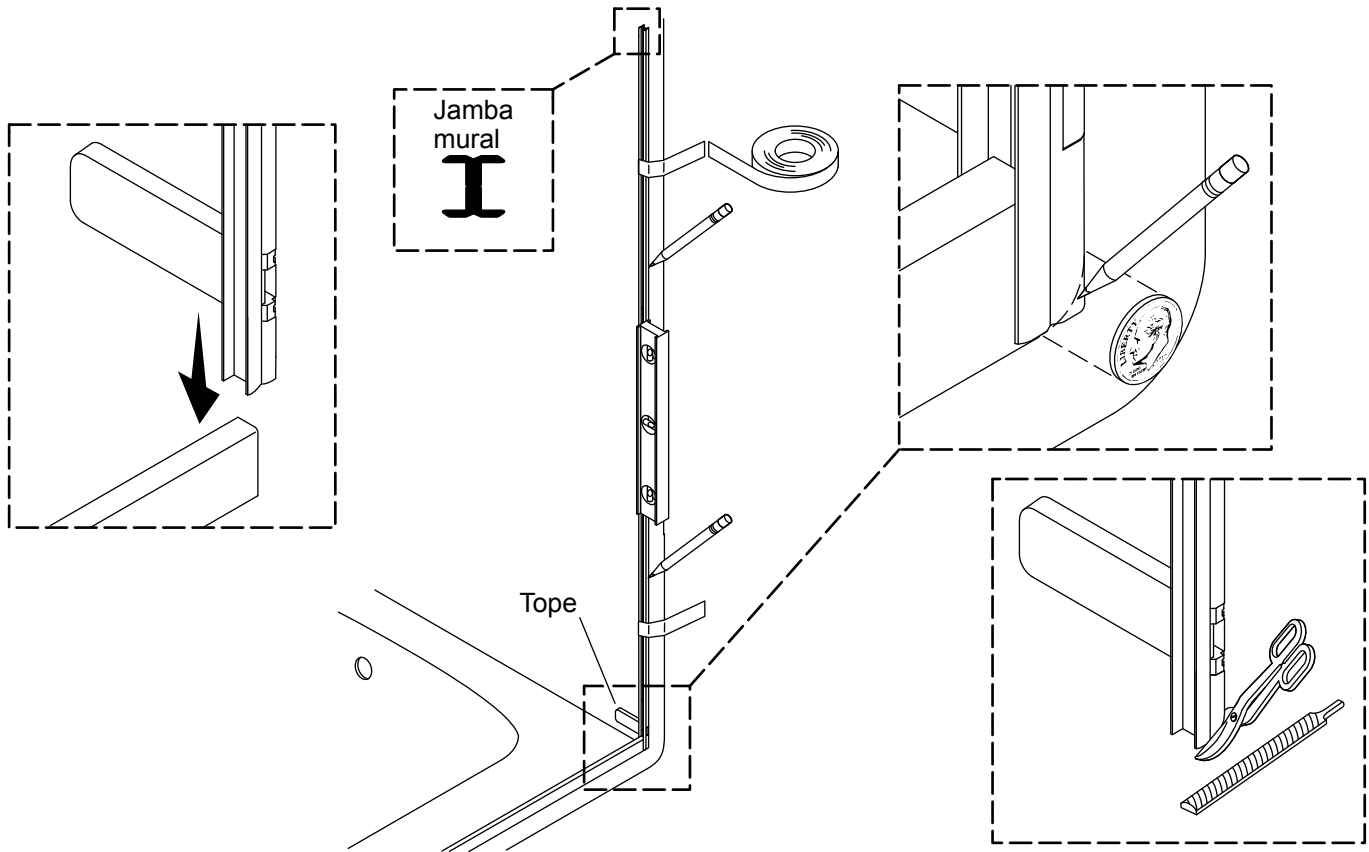
### 3. Coloque el umbral en su lugar



**AVISO:** El umbral debe quedar asentado sobre una superficie plana.

- De ser necesario, lime los extremos del umbral para igualarlos al radio de las esquinas de la pared de la ducha.
- Coloque el umbral de forma que quede a 1/8" (3 mm) a todo lo largo del reborde de la base de la ducha o de la bañera, y marque este lugar.
- Aplique sellador 100 % de silicona dentro de la ranura en la parte inferior del umbral.
- Con cinta de enmascarar sujete con firmeza el umbral en su lugar a lo largo de la marca, centrado entre las paredes.

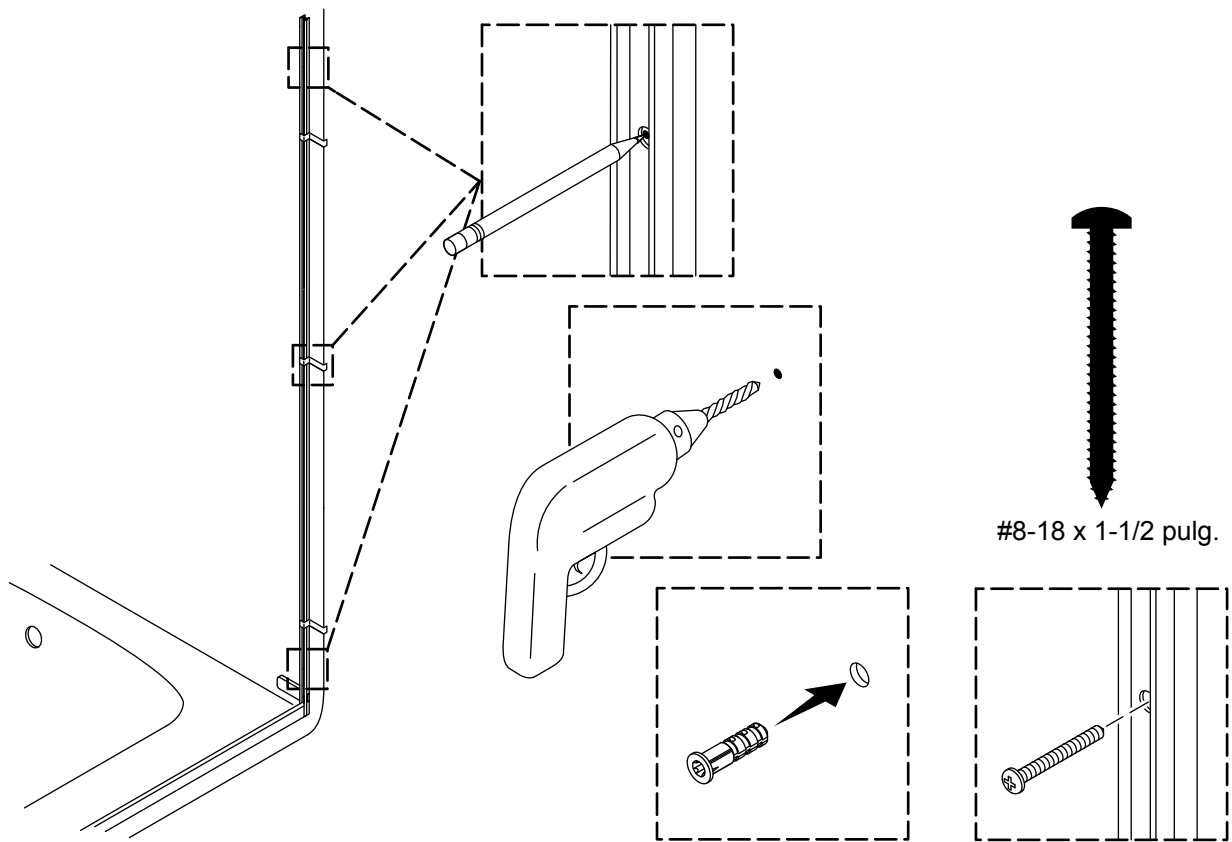
## 4. Prepare las jambas murales



**¡IMPORTANTE!** La jamba mural debe quedar justa contra el umbral y la pared.

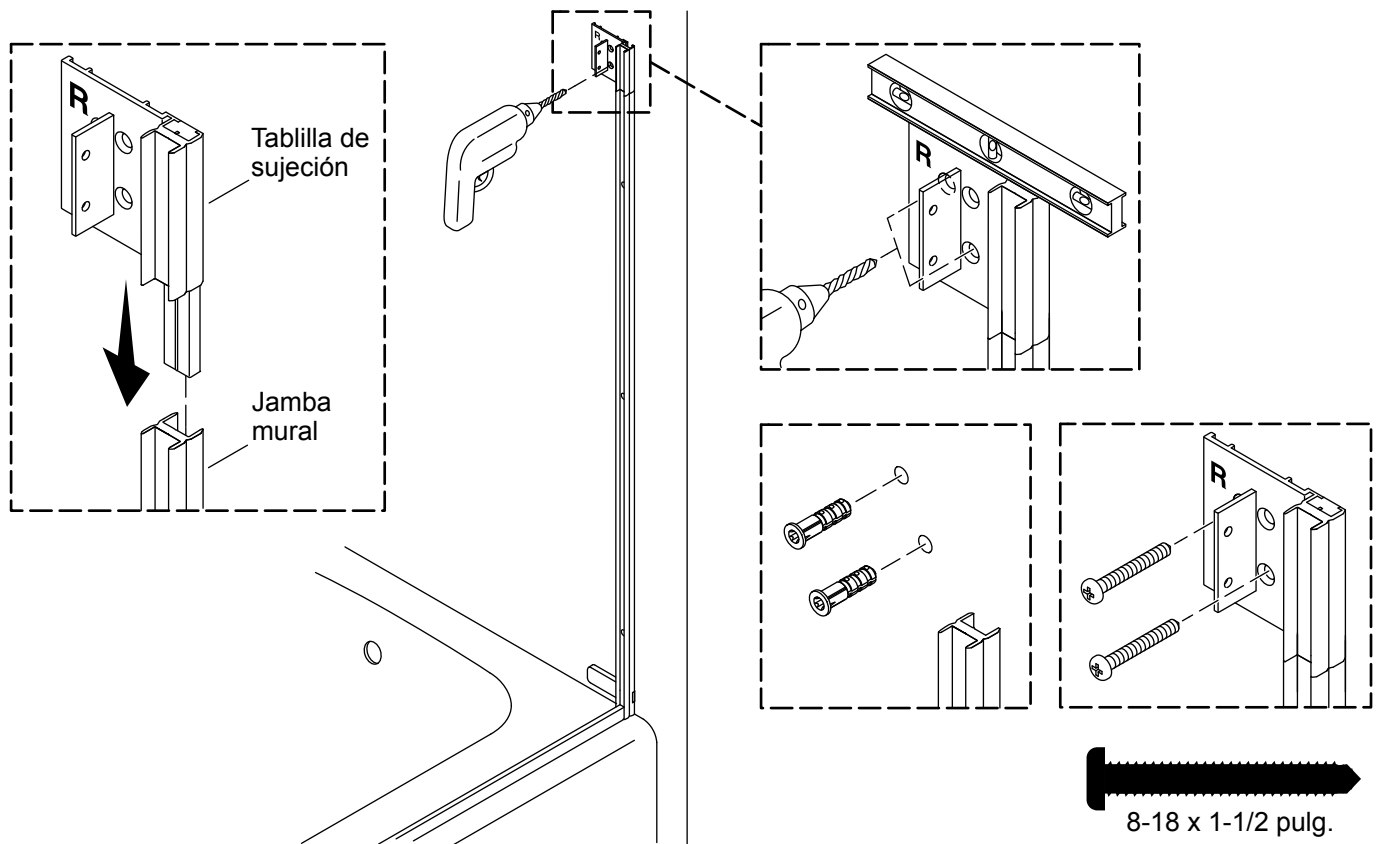
- Coloque la jamba mural en el umbral, contra la pared, con el tope hacia la ducha.
- De ser necesario, dé forma y lime la esquina inferior para que ajuste contra la pared de la ducha. Con una moneda iguale y copie el radio de la esquina.
- Coloque la jamba mural a plomo.
- Pegue bien la jamba mural en su lugar con cinta enmascarar, y marque este lugar.
- Repita este procedimiento con la segunda jamba mural.
- Asegúrese de que el umbral siga estando paralelo al frente de la base de la ducha o del reborde de la bañera.

## 5. Instale las jambas murales



- Marque con un lápiz los 3 lugares para los orificios de anclaje en cada jamba mural.
- Retire ambas jambas murales, y colóquelas a un lado.
- Taladre un orificio de 1/4 pulg. en cada lugar marcado. En paredes de azulejo use una broca para mampostería.
- Instale los anclajes de pared que se incluyen. De ser necesario, dé golpes ligeros a los anclajes hasta que queden al ras contra la pared.
- Limpie por completo la base de la ducha y las paredes.
- Vuelva a colocar una jamba mural, alineada con los orificios de anclaje.
- Fije la jamba mural con 3 tornillos #8-18 x 1-1/2 pulg.
- Repita este procedimiento con la segunda jamba mural.

## 6. Instale las tablillas de sujeción



**AVISO:** Hay una tablilla de sujeción izquierda (marcada con "L") y una derecha (marcada con "R"). Colóquelas de forma que queden dentro del área de la ducha.

- Deslice la tablilla de sujeción en la canaleta entre la jamba mural y la pared.

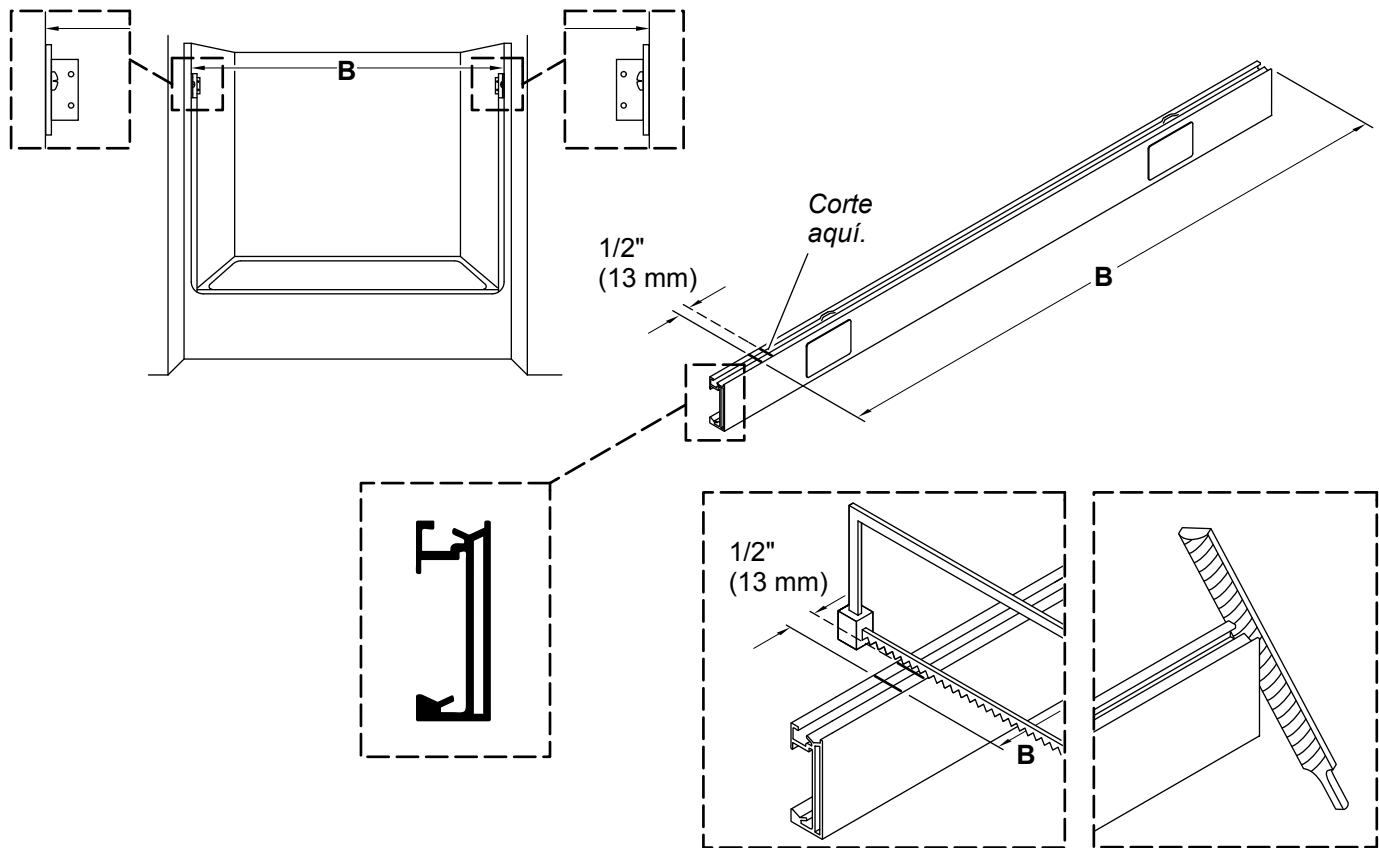
**AVISO:** La tablilla de sujeción debe quedar nivelada y en contacto contra la pared.

- Asegúrese de que la tablilla de sujeción quede al ras contra la parte superior de la jamba mural.
- Sostenga con firmeza en su lugar la tablilla de sujeción bien nivelada, y úsela como guía para taladrar en la pared 2 orificios diagonales opuestos de 1/4 pulg. Por ejemplo, superior izquierdo e inferior derecho.
- Retire la tablilla de sujeción e instale los anclajes de pared que se incluyen. De ser necesario, dé golpes ligeros a los anclajes hasta que queden bien asentados contra la pared.
- Repita el procedimiento con la segunda tablilla de sujeción.
- Limpie por completo la base o el piso de la ducha, el reborde y la pared.

**AVISO:** Puede usar el segundo juego de orificios si alguna de las tablillas de sujeción no queda bien nivelada. Repita los pasos anteriores, si es necesario.

- Fije cada una de las tablillas de sujeción a la pared con 2 tornillos #8-18 x 1-1/2 pulg.
- Verifique que las tablillas de sujeción queden niveladas. Afloje los tornillos y ajuste la posición de las tablillas de sujeción, si es necesario.

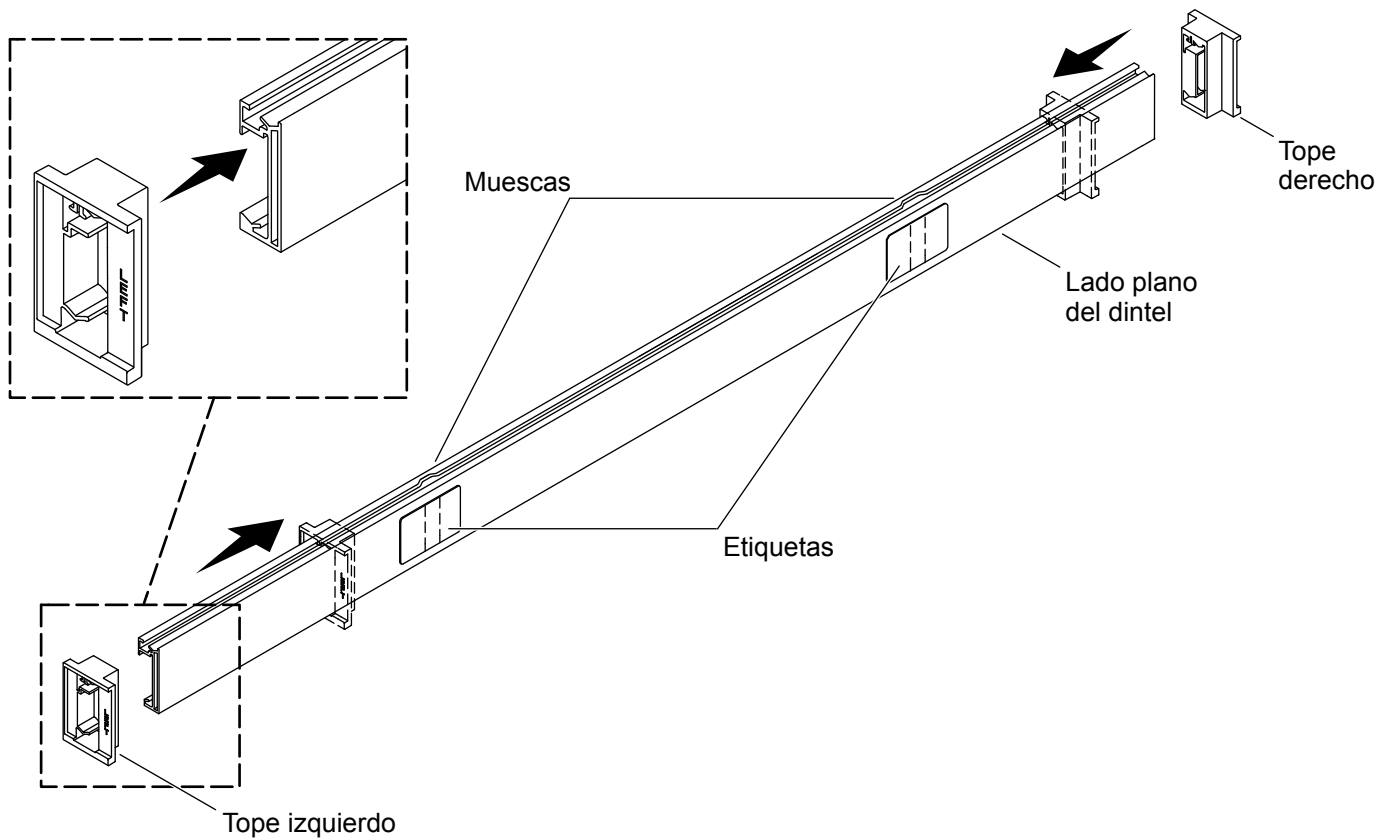
## 7. Mida y recorte el dintel



**¡IMPORTANTE!** Confirme sus medidas antes de recortar. No recorte el dintel demasiado corto.

- Mida la distancia "B" entre paredes de la ducha, y márquela en el dintel.
- Mida 1/2" (13 mm) a partir de la marca "B" y haga una segunda marca en el dintel, como se indica.
- Recorte el dintel en la segunda marca.
- Lime los bordes ásperos y limpie los desperdicios que quedan en los carriles para las rueditas.

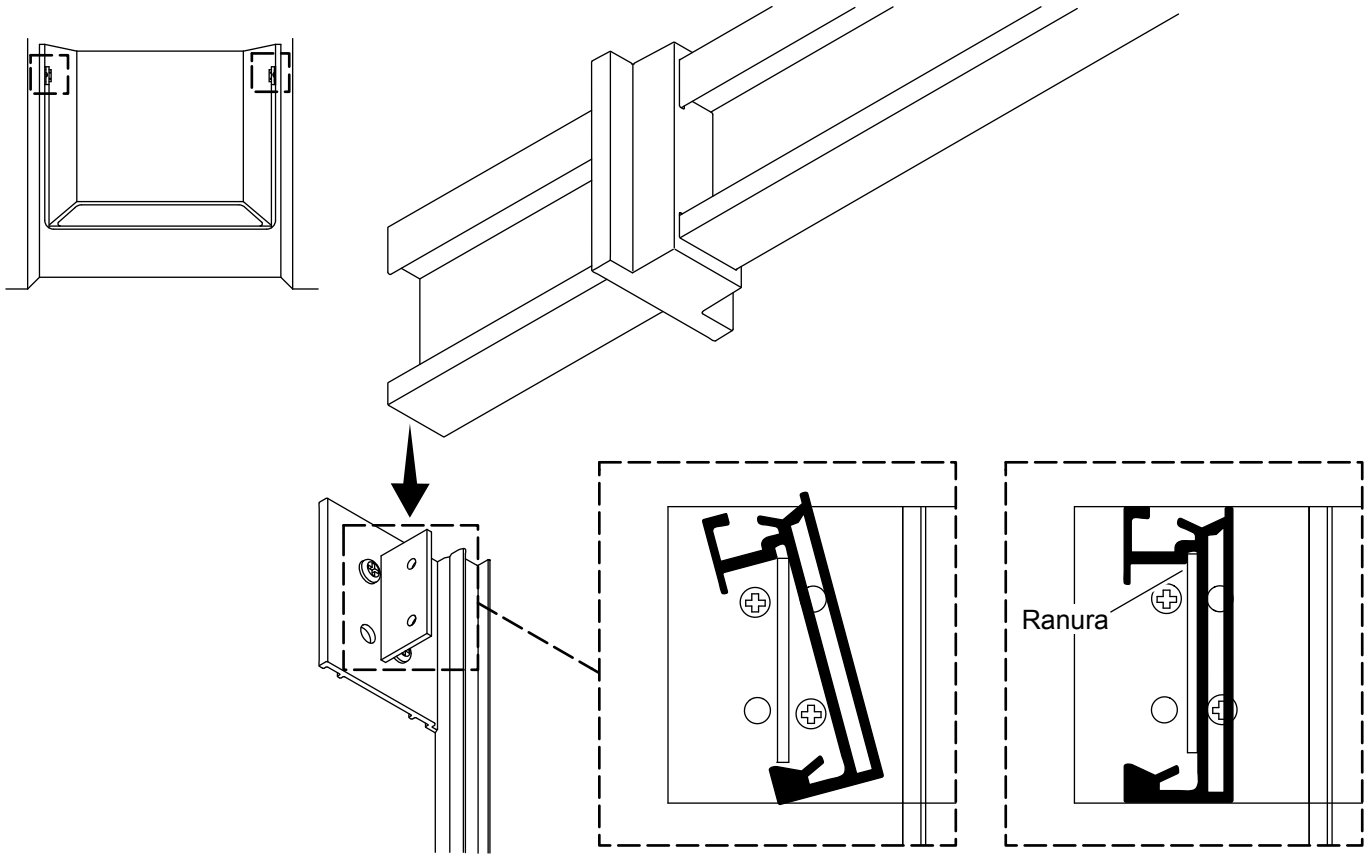
## 8. Instale los topes al dintel



**AVISO:** Las palabras "LEFT" (izquierdo) y "RIGHT" (derecho) están moldeadas en los topes.

- Busque las etiquetas en el dintel, y observe cómo se alinean con las muescas en la parte superior.
- Con las etiquetas en el dintel hacia usted, identifique los extremos izquierdo y derecho del dintel.
- Meta un tope en cada uno de los extremos del dintel, como se muestra.

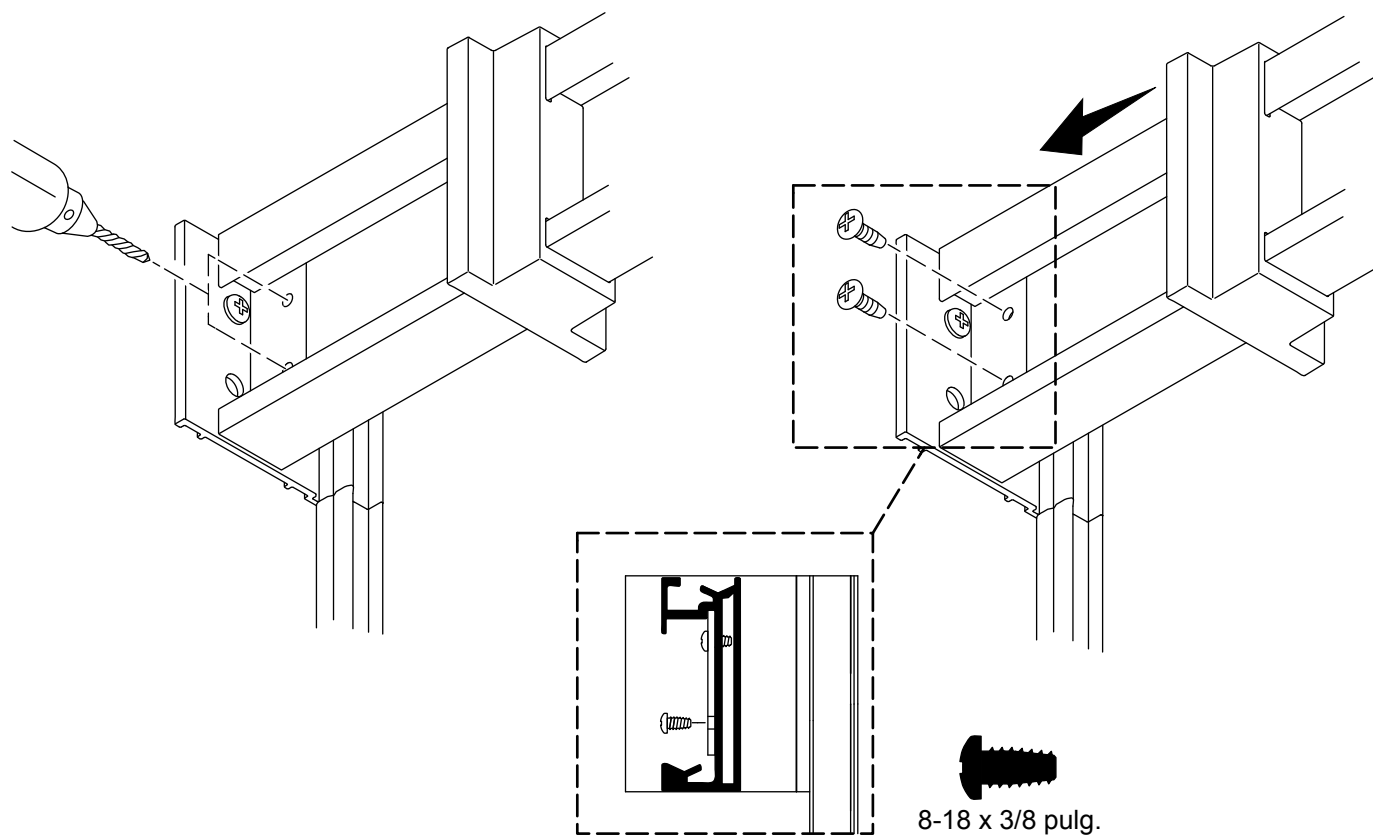
## 9. Coloque el dintel en su lugar



**AVISO:** Las etiquetas en el dintel deben quedar hacia el exterior de la ducha.

- Desde el interior de la ducha, levante el dintel sobre las tablillas de sujeción.
- Incline el dintel y bájelo a las tablillas de sujeción, como se muestra.
- Asegúrese de que la parte superior del dintel quede bien enganchado en los soportes, como se indica.
- Gire el dintel a su lugar a que quede plano contra los soportes murales.

## 10. Fije el dintel



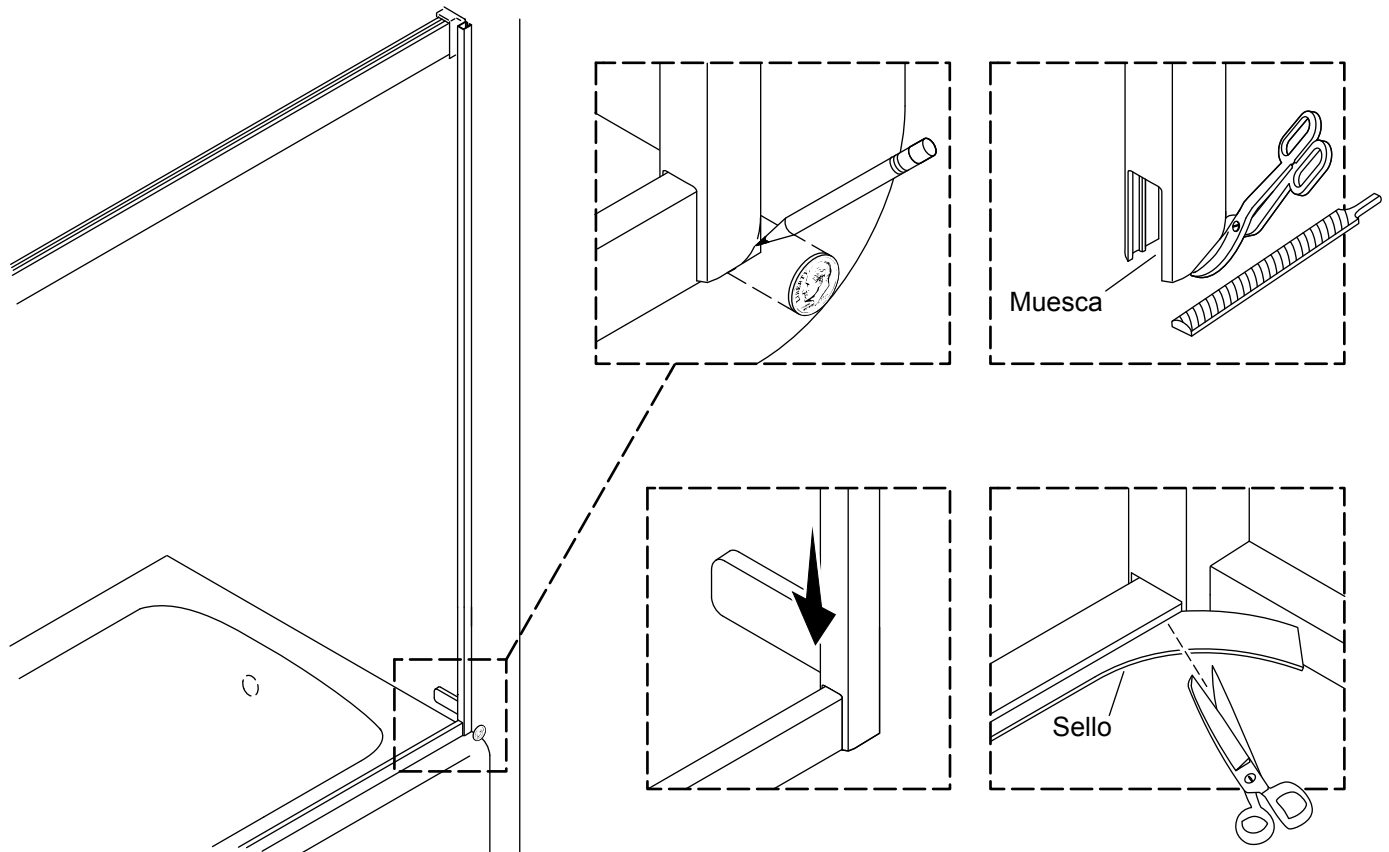
**⚠ PRECAUCIÓN: Riesgo de lesiones personales.** Al taladrar a través del dintel, no acerque las manos a los lugares donde vaya a taladrar.

**⚠ PRECAUCIÓN: Riesgo de daños al producto.** Al asegurar el dintel a cada tablilla de sujeción, no taladre a través de la segunda pared del dintel.

- Desde dentro de la ducha, use las tablillas de sujeción como plantilla para taladrar 2 orificios de 9/64 pulg. A través del dintel.
- Desde el interior de la ducha, fije el dintel a cada tablilla de sujeción con 2 tornillos autorroscantes #8-18 x 3/8 pulg.
- Con cuidado limpie muy bien el dintel. Asegúrese de que no haya desechos en los carriles para las rueditas.
- Deslice los topes a que queden al ras contra cada una de las paredes.



## 11. Instale las cubiertas de jambas murales

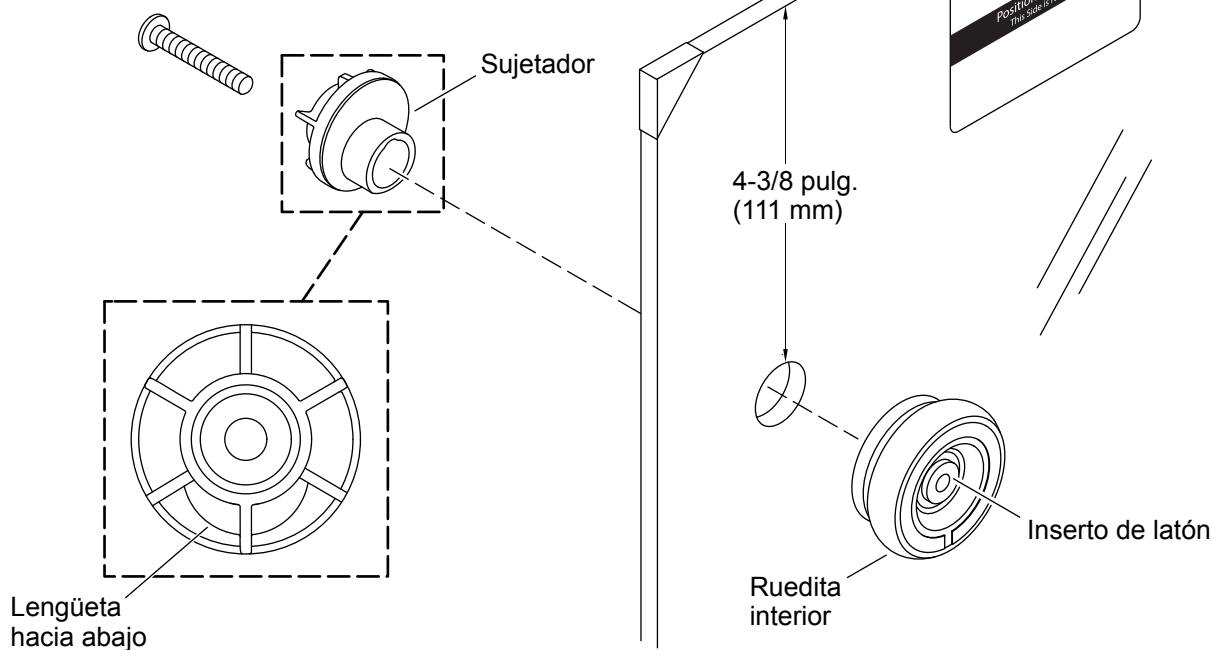
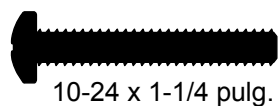


- De ser necesario, dé forma y lime la esquina inferior para que ajuste contra la pared de la ducha.
- Repita este procedimiento con la segunda cubierta de jamba mural.
- Coloque la muesca en la cubierta de la jamba mural sobre el umbral.
- Presione la cubierta de la jamba mural contra la jamba mural.

**AVISO:** Las cubiertas de las jambas murales no quedan al ras contra la pared.

- Repita este procedimiento con la segunda cubierta de jamba mural.
- Recorte el sello del umbral al ras con las cubiertas de las jambas murales.

## 12. Ensamble el panel interior

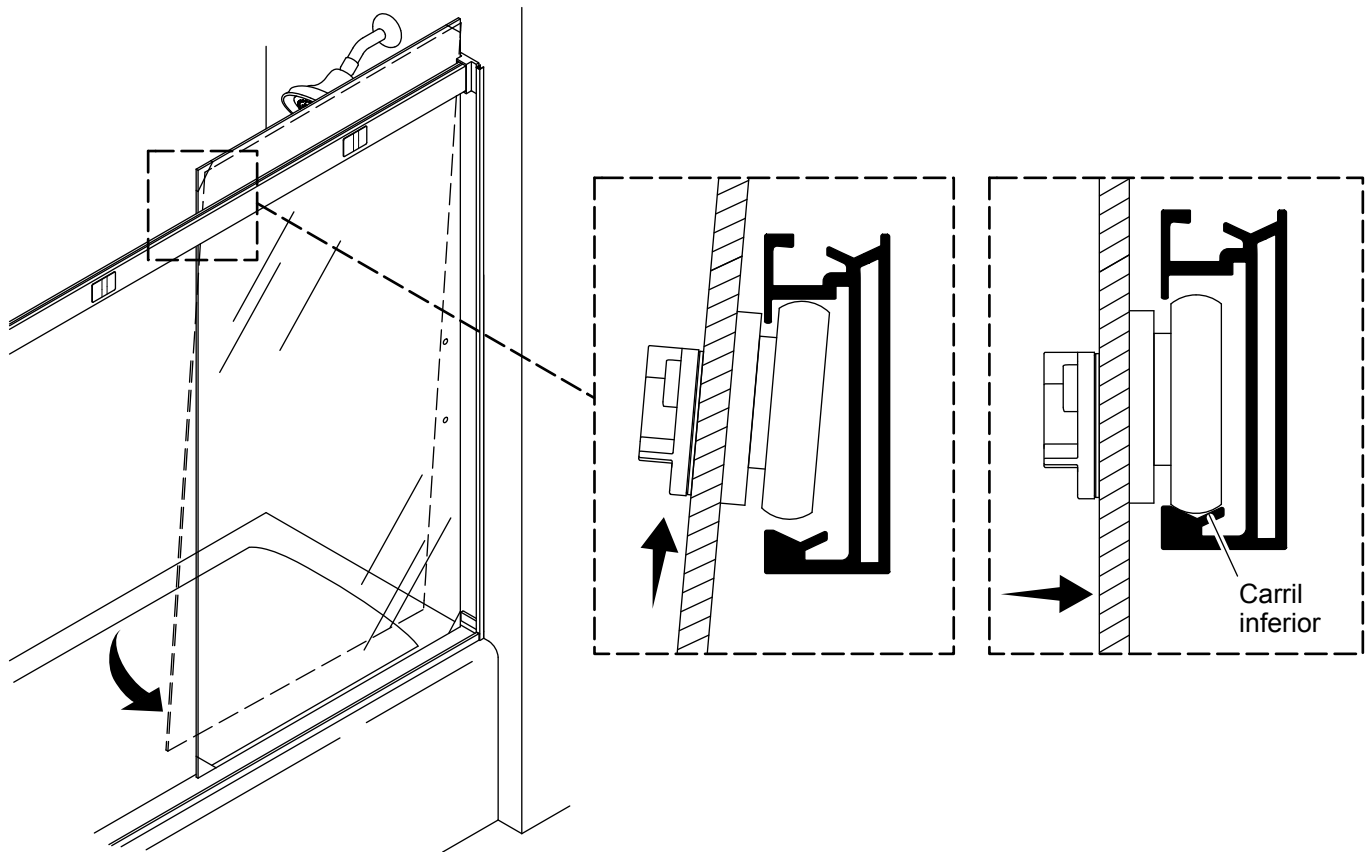


**AVISO:** Los orificios de montaje para las rueditas del panel interior quedan 4-3/8" (111 mm) abajo de la parte superior del panel.

**AVISO:** Las rueditas del panel interior tienen un inserto de latón.

- Coloque cada una de las rueditas en el mismo lado del panel que lleva la etiqueta.
- Instale cada una de las rueditas interiores con la lengüeta hacia abajo. Así se colocará la puerta en su selección más baja.
- Fije cada ruedita con un tornillo #10-24 x 1-1/4".
- Con un destornillador manual solamente, apriete bien los tornillos.

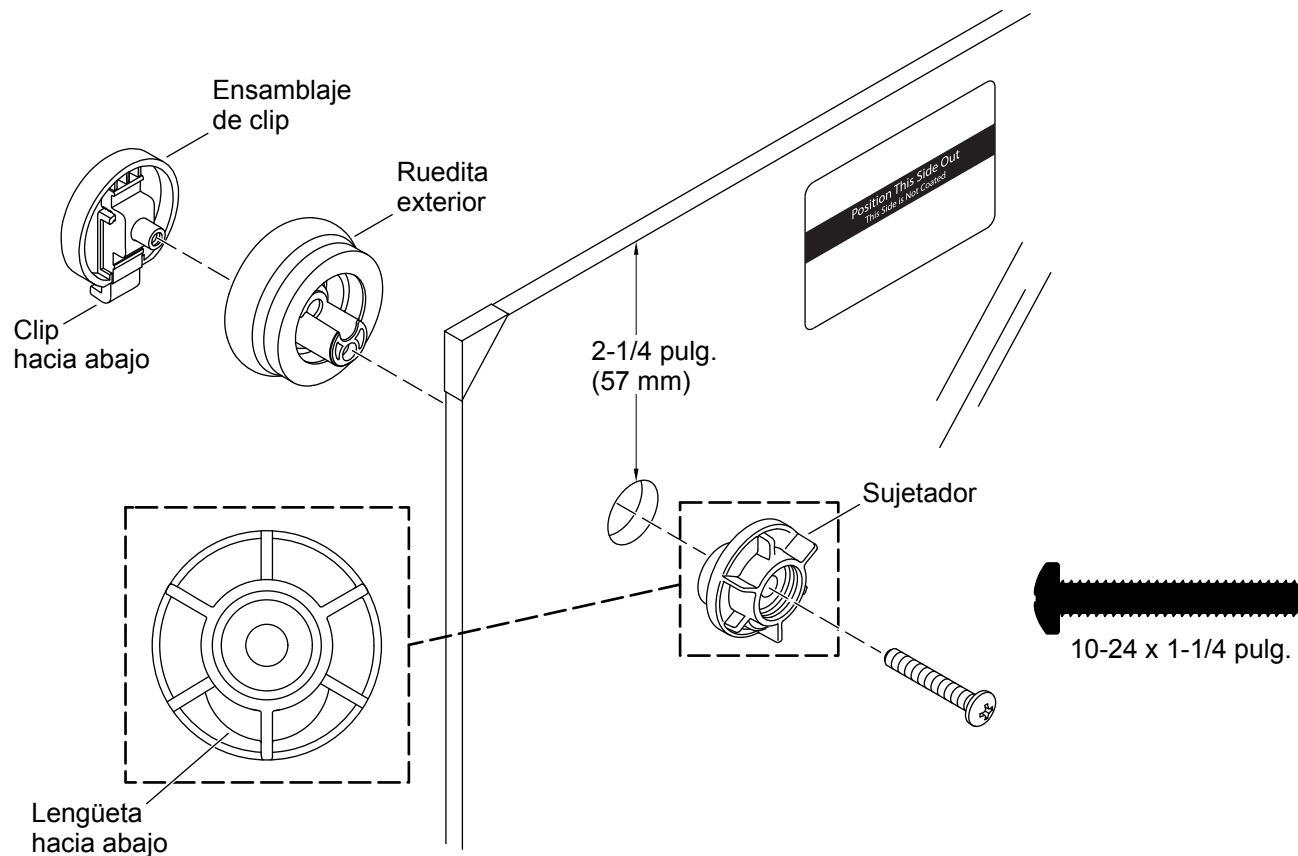
## 13. Instale el panel interior



**NOTA:** Las rueditas y la etiqueta quedan hacia el exterior de la ducha.

- Con ayuda, mueva el panel interior por completo hacia el área de la ducha.
- Con ayuda, desde el interior de la ducha, incline el panel a que la parte superior de las rueditas quede dentro del dintel. Deje descansar las rueditas en el carril inferior del dintel, y coloque el panel en su lugar.
- Asegúrese de que el panel pueda correr en ambas direcciones sin dificultades. De ser necesario, ajuste las rueditas de acuerdo a las instrucciones en la sección "Ajuste las rueditas".

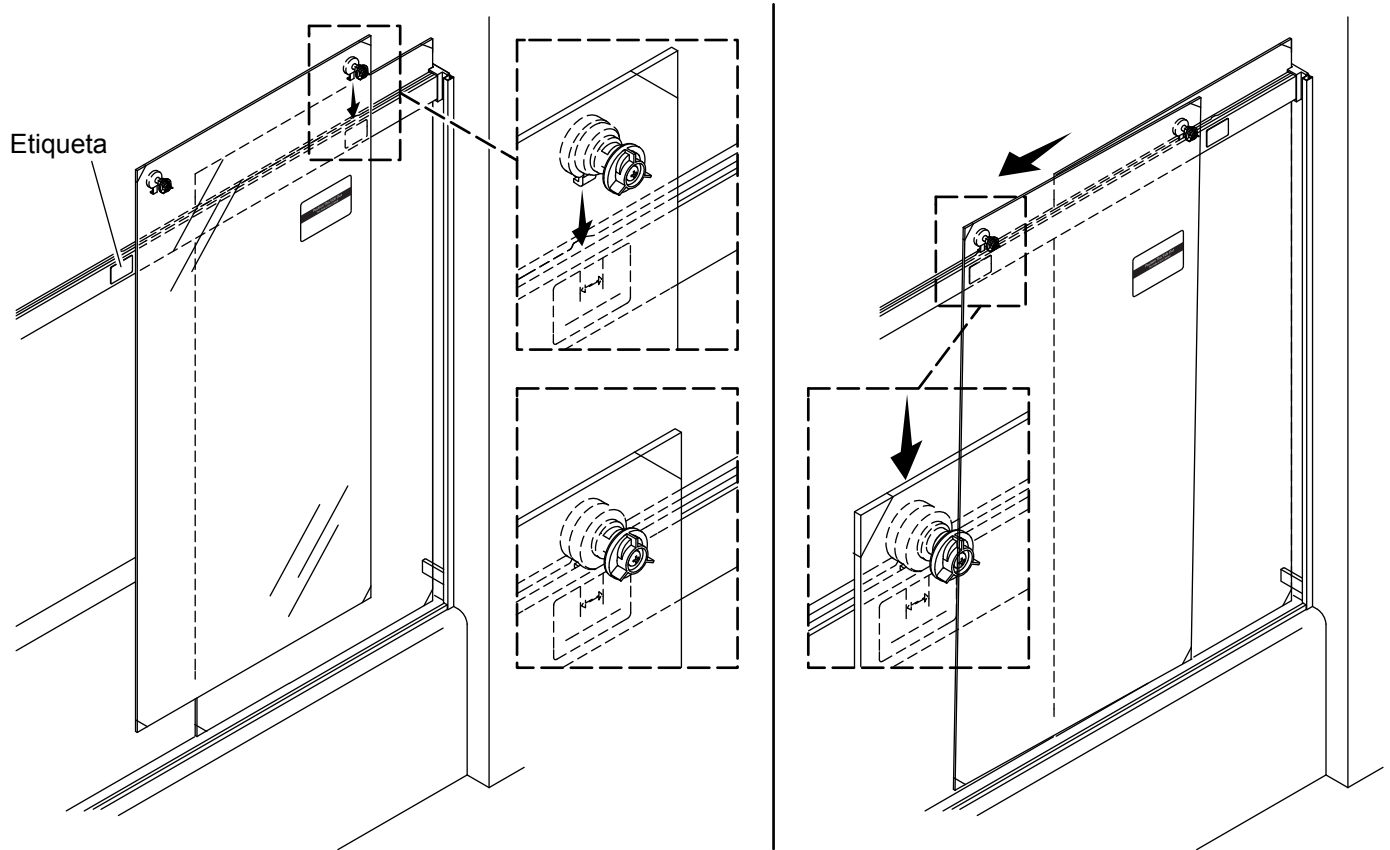
## 14. Ensamble el panel exterior



**AVISO:** Los orificios de montaje para las rueditas del panel exterior quedan 2-1/4" (57 mm) abajo de la parte superior del panel.

- Coloque cada una de las rueditas en lado opuesto del panel que lleva la etiqueta.
- Instale las rueditas exteriores con la lengüeta en la abrazadera apuntando hacia abajo. Así se colocará la puerta en su selección más baja.
- Fije cada ruedita con un tornillo #10-24 x 1-1/4".
- Sostenga el clip hacia abajo mientras aprieta el tornillo.
- Con un destornillador manual solamente, apriete bien los tornillos hasta que no sea posible hacer girar los clips con la mano.

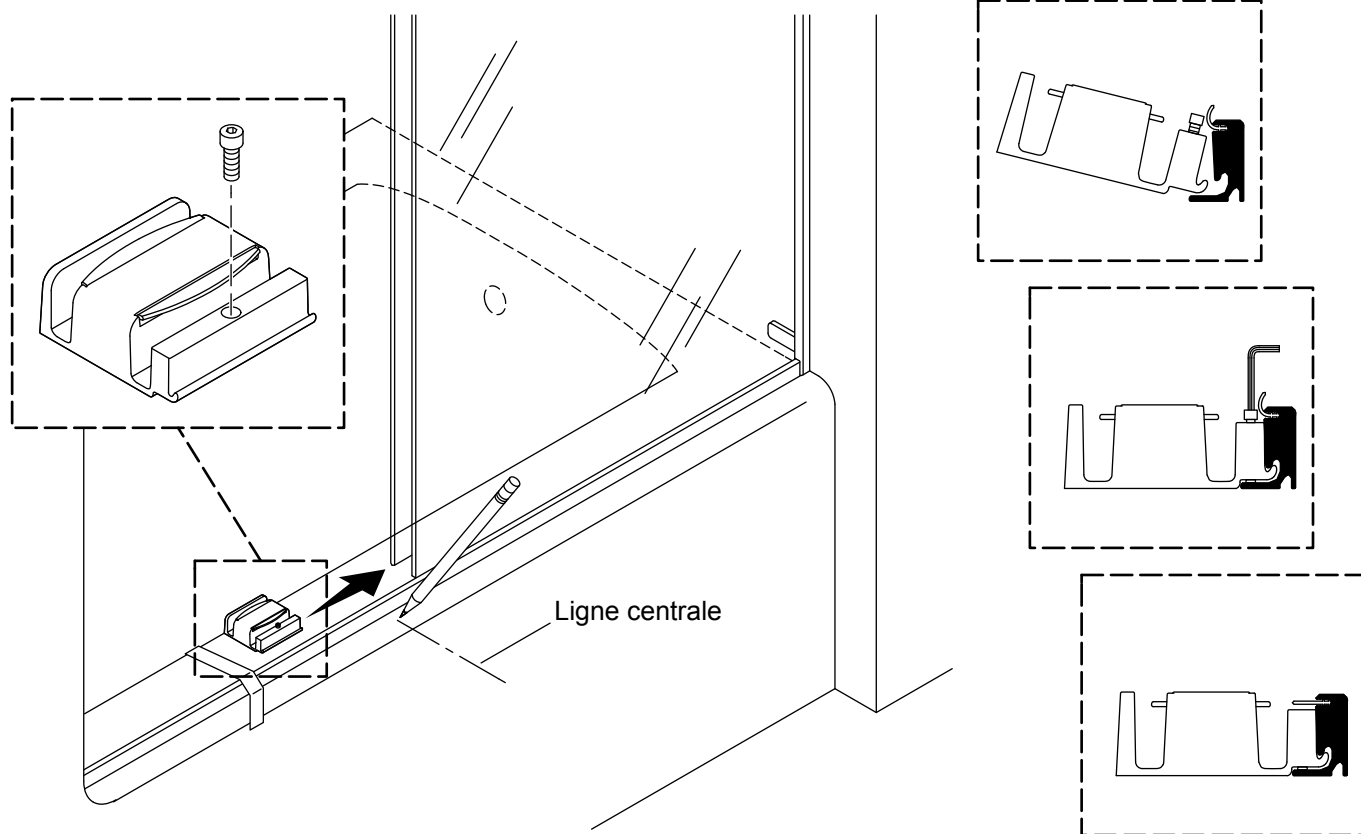
## 15. Instale el panel exterior



**AVISO:** Busque las muescas en el dintel que están alineadas con las etiquetas que dicen “Panel Installation Area” (área de instalación del panel).

- Con ayuda, desde el exterior de la ducha, levante el panel, alinee un clip de ruedita con una muesca, y coloque la ruedita en el carril para rueditas.
- Levante el extremo opuesto del panel, de forma que la segunda ruedita quede arriba del dintel. Deslice el panel para alinear el clip de la segunda ruedita con la segunda muesca. Coloque la ruedita en el carril para rueditas.

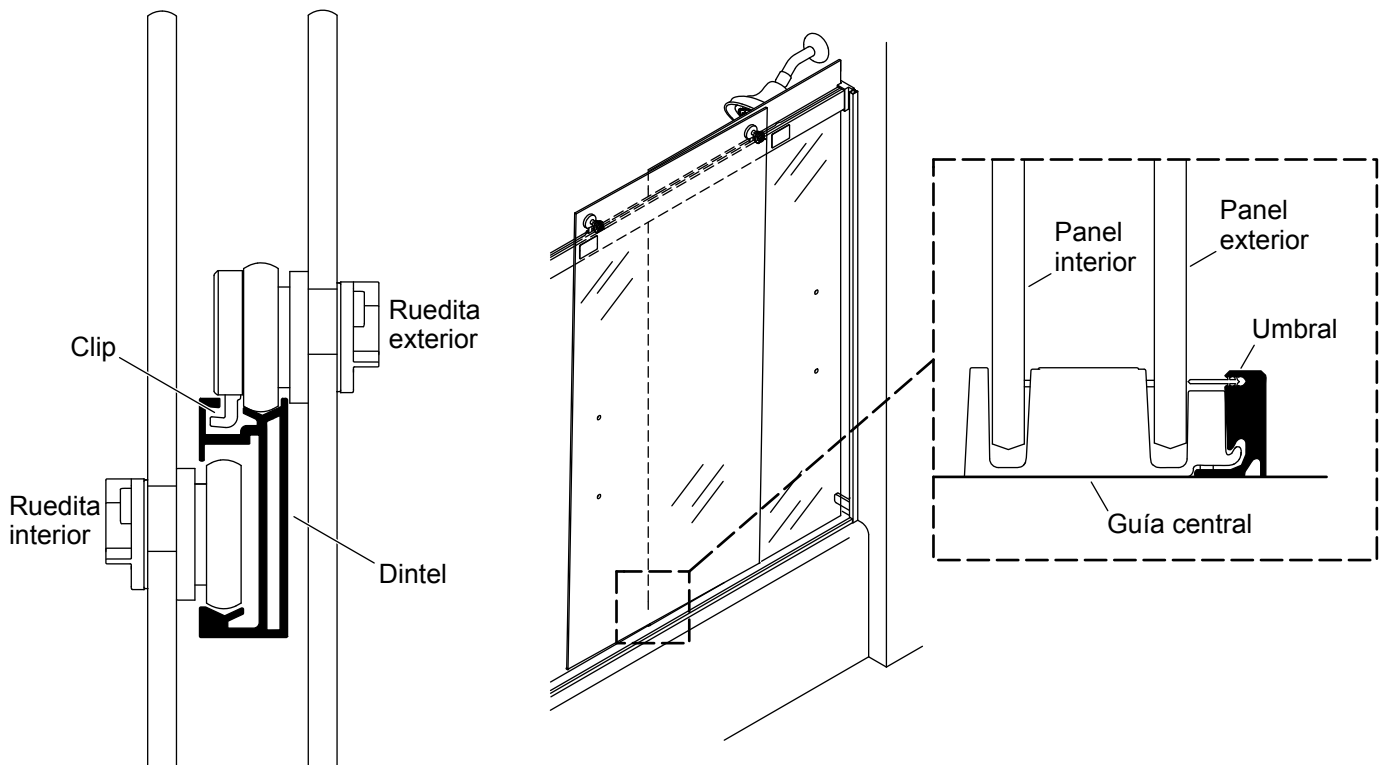
## 16. Instale la guía central



**¡IMPORTANTE!** a guía central debe quedar bien asentada por completo detrás del labio del umbral, como se muestra.

- Mueva ambos paneles de puerta a un extremo de la ducha.
- Atornille el tornillo parcialmente en el orificio de la guía central. El tornillo no debe sobresalir por el lado inferior de la guía central.
- Mida y marque la línea central del umbral en el lado exterior de la base de la ducha o del reborde de la bañera.
- Gire la guía central a su lugar en la ranura del umbral como se muestra.
- Mueva la guía central a lo largo del umbral hasta que el tornillo quede alineado con la marca de la línea central.
- Deslice los paneles de puerta a las canaletas de la guía central.
- Levante el sello del umbral para obtener acceso al tornillo.
- Apriete a mano el tornillo con una llave hexagonal de 5/32 pulg., y luego apriételo media vuelta adicional.

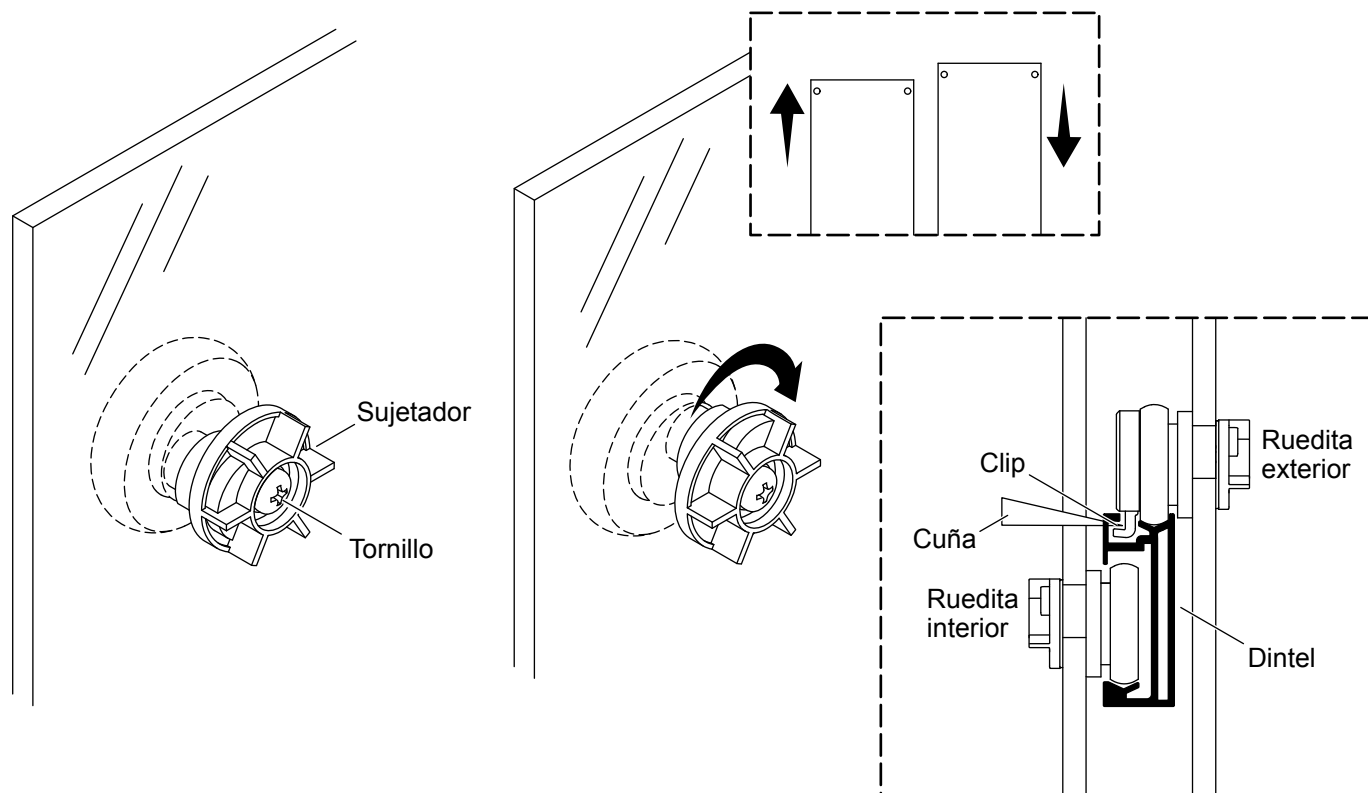
## 17. Verifique la instalación



- Confirme que todas la rueditas estén dentro de los carriles del dintel.
- La parte superior de las rueditas del panel interior debe estar dentro del dintel.
- Los clips en las rueditas del panel exterior deben estar dentro del borde superior del dintel. No deben quedar a la vista.
- La parte inferior de los paneles de puerta deben estar dentro de las canaletas de la guía central.
- La guía central debe quedar bien fija al umbral.

## 18. Ajuste las rueditas

ES

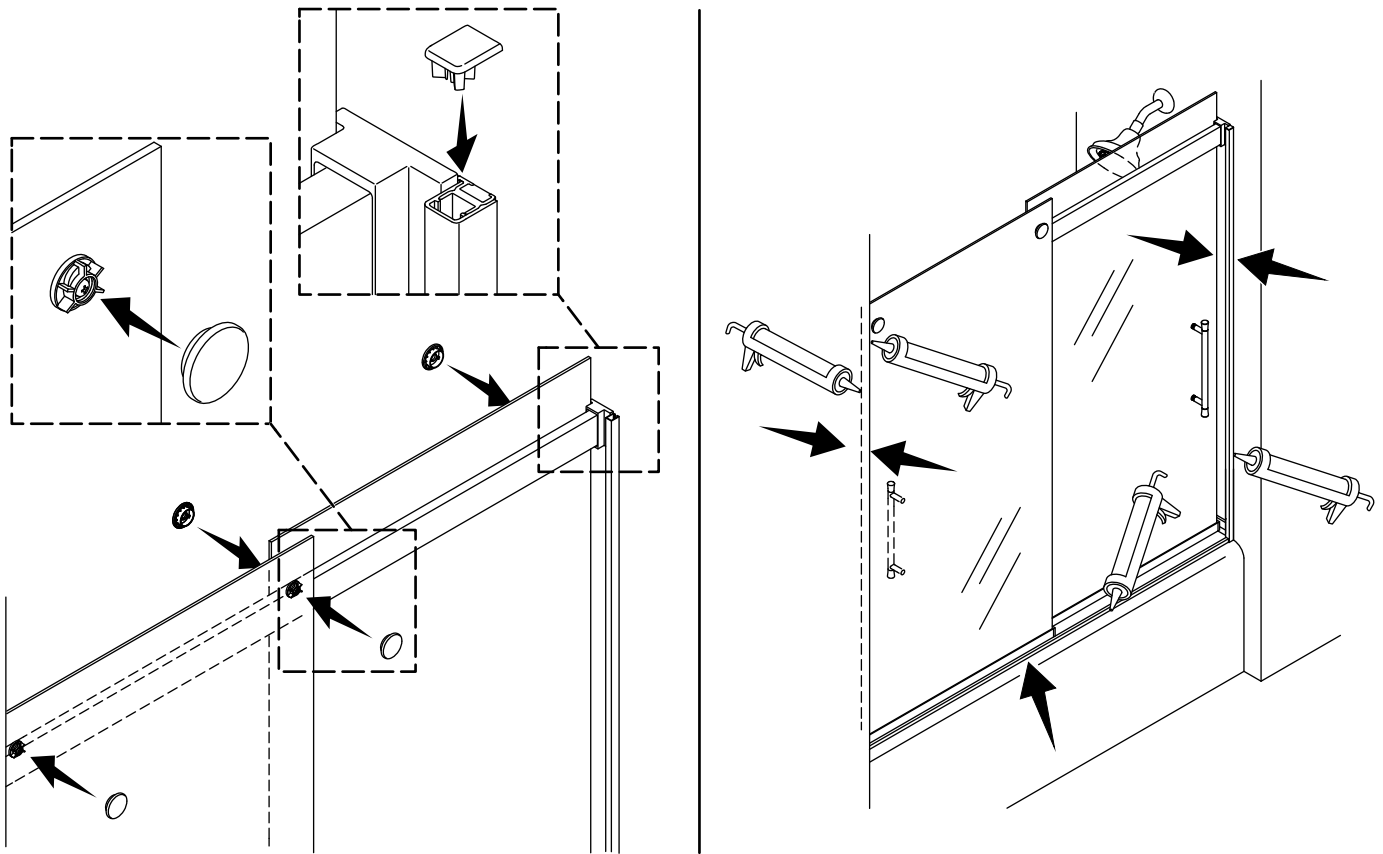


**NOTA:** Es posible que las rueditas requieran ajustes si algún panel no se puede mover, si hace un sonido de arrastre al moverlo, o si algún tope superior o inferior no hace contacto al cerrar.

- Para ajustar la alineación de cada uno de los extremos del panel, afloje los tornillos y haga girar la abrazadera de ajuste.
- Al ajustar el panel exterior, sostenga la cubierta del clip recta o introduzca una cuña de madera bajo la cubierta mientras aprieta bien los tornillos de forma que el clip no raspe en su carril.
- Repita hasta que la puerta funcione sin problemas y quede alineada pareja con las paredes de la ducha.
- Confirme que los clips sigan orientados correctamente (consulte la sección "Verifique la instalación"). Apriete bien los tornillos.



## 19. Termine la instalación



- Encaje una tapa en su lugar en cada una de las cuatro rueditas.
- Oprima una tapa en la parte superior de cada jamba mural.
- Instale el toallero de barra o la manija de acuerdo a las instrucciones que se entregan por separado.
- Aplique sellador 100 % de silicona a lo largo de las jambas murales en el interior y exterior de la ducha o de la bañera.
- Aplique sellador 100 % de silicona al borde exterior del umbral.

## Resolución de problemas

Esta guía de resolución de problemas está diseñada únicamente como ayuda general. Si tiene preguntas acerca de servicio e instalación, llame al 1-800-4KOHLEER.

Síntomas	Causa probable	Acción recomendada
1. La puerta hace ruido cuando se abre o se cierra.	<p><b>A.</b> El clip de alguna ruedita exterior no está apuntando directo hacia abajo, y está raspando el interior del dintel.</p> <p><b>B.</b> Alguna ruedita exterior no está apretada, lo que ocasiona que su clip raspe contra el interior del dintel.</p> <p><b>C.</b> Los paneles de puerta están demasiado bajos, lo que ocasiona que raspen contra la base de la guía central o contra la base de la ducha o el reborde de la bañera.</p> <p><b>D.</b> Las rueditas se han desgastado y hacen ruido.</p>	<p><b>A.</b> Afloje el tornillo de la ruedita exterior, gire el clip de forma que apunte directamente hacia abajo y entre en el dintel, y apriete bien el tornillo de la ruedita.</p> <p><b>B.</b> Apriete los tornillos de las rueditas exteriores, y asegúrese de que todos los clips estén apuntando directamente hacia abajo.</p> <p><b>C.</b> Ajuste las rueditas para elevar los paneles de puerta, de forma que dejen de raspar. Consulte la sección "Ajuste las rueditas".</p> <p><b>D.</b> Cambie las rueditas.</p>
2. Es difícil mover la puerta o no abre.	<p><b>A.</b> El clip de alguna ruedita no está apuntando directo hacia abajo, y está raspando contra el interior del dintel.</p> <p><b>B.</b> Los paneles de puerta están demasiado bajos, lo que ocasiona que raspen contra la base de la guía central o contra la base de la ducha o el reborde de la bañera.</p> <p><b>C.</b> El sello del umbral no está bien asentado, lo que ocasiona que raspe el panel de la puerta.</p>	<p><b>A.</b> Afloje el tornillo de la ruedita, gire el clip de forma que apunte directamente hacia abajo y entre en el dintel, y apriete bien el tornillo.</p> <p><b>B.</b> Ajuste las rueditas para elevar los paneles de puerta, de forma que dejen de raspar.</p> <p><b>C.</b> Empuje el sello a que entre por completo en el umbral.</p>

Síntomas	Causa probable	Acción recomendada
<p>3. Los paneles de puerta están sueltos y se columpian hacia dentro y hacia fuera de la ducha.</p>	<p><b>A.</b> La guía central no está instalada.</p> <p><b>B.</b> La guía central no está instalada en el lugar correcto.</p> <p><b>C.</b> Los paneles de puerta no están bien instalados en la guía central.</p> <p><b>D.</b> La puerta es del tamaño incorrecto para la abertura de la ducha.</p>	<p><b>A.</b> Instale la guía central de acuerdo con las instrucciones.</p> <p><b>B.</b> Instale la guía central en el centro de la base de la ducha o del reborde de la bañera.</p> <p><b>C.</b> Los paneles de puerta deben correr en las canaletas de la guía central.</p> <p><b>D.</b> Obtenga el producto correcto para la abertura de la ducha.</p>
<p>4. La guía central está suelta.</p>	<p><b>A.</b> El tornillo de la guía central no está bien apretado.</p> <p><b>B.</b> La guía central no está bien instalada en la base de la ducha o en el reborde de la bañera.</p>	<p><b>A.</b> Con la llave hexagonal que se incluye, apriete el tornillo hasta que la guía central no pueda ser movida a mano.</p> <p><b>B.</b> Verifique que el gancho de la guía central esté dentro del umbral.</p>
<p>5. Se fuga el agua.</p>	<p><b>A.</b> Se fuga agua por debajo del umbral.</p> <p><b>B.</b> Se fuga agua por debajo de un panel de puerta.</p> <p><b>C.</b> Se fuga agua por debajo de un panel de puerta.</p> <p><b>D.</b> Se fuga agua entre los paneles de puerta.</p> <p><b>E.</b> Se fuga agua entre un panel de puerta y una jamba mural.</p> <p><b>F.</b> Se fuga agua entre un panel de puerta y una jamba mural.</p> <p><b>G.</b> Se fuga agua por detrás de una jamba mural.</p>	<p><b>A.</b> Aplique sellador 100 % de silicona al borde exterior del umbral. Siga las instrucciones del fabricante del sellador de silicona antes de usar la ducha.</p> <p><b>B.</b> Ajuste las rueditas de forma que la parte inferior de los paneles de puerta queden más cerca de la base de la ducha o del reborde de la bañera. Consulte la sección "Ajuste las rueditas".</p> <p><b>C.</b> Retire las cubiertas de las jambas murales, y asegúrese de que las tablillas de sujeción estén instaladas correctamente. Si hay espacio entre alguna jamba mural y una tablilla de sujeción, es posible que los paneles de puerta hayan quedado instalados demasiado altos.</p> <p><b>D.</b> Al tomar una ducha, asegúrese de que el panel interior quede más cerca a la cabeza de ducha.</p> <p><b>E.</b> Ajuste las rueditas de tal forma que los topes hagan contacto al parejo con la pared y con el panel de puerta. Consulte la sección "Ajuste las rueditas".</p> <p><b>F.</b> Haga un pedido del kit de sello opcional, e instálelo.</p> <p><b>G.</b> Aplique sellador 100 % de silicona a los bordes exterior e interior de la jamba mural. Siga las instrucciones del fabricante del sellador de silicona antes de usar la ducha.</p>
<p>6. La manija no está bien instalada.</p>	<p><b>A.</b> El panel de puerta no se limpió bien antes de instalar la manija, o la manija no se oprimió con firmeza durante la instalación.</p>	<p><b>A.</b> Limpie el panel de la puerta e instale una nueva manija.</p>

USA/Canada: 1-800-4KOHLER (1-800-456-4537)  
Mexico: 001-800-456-4537  
kohler.com

THE BOLD LOOK  
OF **KOHLER**®

©2020 Kohler Co.



1381418-2

1381418-2-D